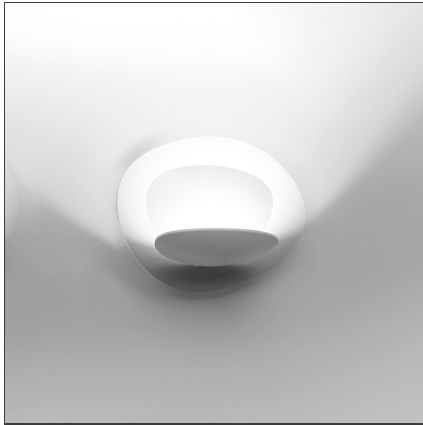


## Pirce Micro Wall - 2700K - White



IP20 Dimmerable:

### DESIGN BY

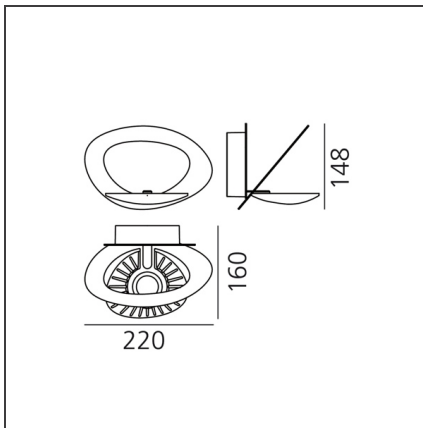
Giuseppe Maurizio Scutellà

### DESCRIPTION

Pirce's award-winning design is one of Artemide's top sellers. Originally released in halogen, its light source has been reimagined to incorporate a high quality, energy-efficient LED light source.

Pirce is not only an elegant light source, it is an alluring decoration with a strong sense of presence turned on or off. Its slim disc merges softly into flowing swirls that spiral downwards to create alluring lighting effects.

### TECHNICAL DRAWINGS



### FEATURES

<b>Article Code:</b>	1248W10A	<b>Material:</b>	Aluminum
<b>Colour:</b>	White	<b>Series:</b>	Design
<b>Installation:</b>	Wall	<b>Area contract:</b>	Residential
<b>Environment:</b>	Indoor	<b>Emission:</b>	Indirect

### DIMENSIONS

<b>Length:</b>	cm 22	<b>Glow Wire Test:</b>	650
<b>Width:</b>	cm 16		
<b>Height:</b>	cm 14.8		

### INCLUDED SOURCES

<b>Category:</b>	LED	<b>Color temperature (K):</b>	2700K
<b>Number:</b>	1	<b>CRI:</b>	90
<b>Watt:</b>	27W		
<b>Type:</b>	0		
<b>Class:</b>	A		

### LUMINAIRE

<b>Watt:</b>	27W	<b>Delivered lumens output (lm):</b>	2586lm
<b>Voltage:</b>	220V-240V	<b>CCT:</b>	2700K
		<b>Efficiency:</b>	97%
		<b>Efficacy:</b>	95.78lm/W
		<b>CRI:</b>	90
		<b>Dimmable Typology:</b>	Push