


Pirce Suspension LED - 2700K - White



IP 20     

Dimmerable: +  -

DESIGN BY

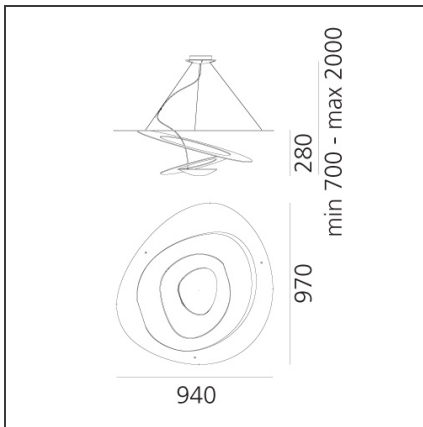
Giuseppe Maurizio Scutellà

DESCRIPTION

Pirce's award-winning design is one of Artemide's top sellers. Originally released in halogen, its light source has been reimagined to incorporate a high quality, energy-efficient LED light source.

Pirce is not only an elegant light source, it is an alluring decoration with a strong sense of presence turned on or off. Its slim disc merges softly into flowing twirls that spiral downwards to create alluring lighting effects.

TECHNICAL DRAWINGS



FEATURES

Article Code:	1254W10A	Material:	Aluminum
Colour:	White	Series:	Design
Installation:	Suspension	Area contract:	Residential
Environment:	Indoor	Emission:	Indirect

DIMENSIONS

Length:	cm 94	Glow Wire Test:	650
Width:	cm 97		
Height:	cm 28		
Max Height from ceiling:	cm 200		

INCLUDED SOURCES

Category:	LED	Color temperature (K):	2700K
Number:	1	Color Tolerance:	MacAdam 2SDCM
Watt:	37W	CRI:	90
Delivered lumens output (lm):	3761lm		
Type:	0		
Class:	A		

LUMINAIRE

Watt:	44W	Delivered lumens output (lm):	3097lm
Voltage:	220V-240V	CCT:	2700K
		Efficiency:	82%
		Efficacy:	70.39lm/W
		CRI:	90
		Dimmable Typology:	Push