

# Pirce Suspension - White



IP 20     

Dimmerable: +  -

## DESIGN BY

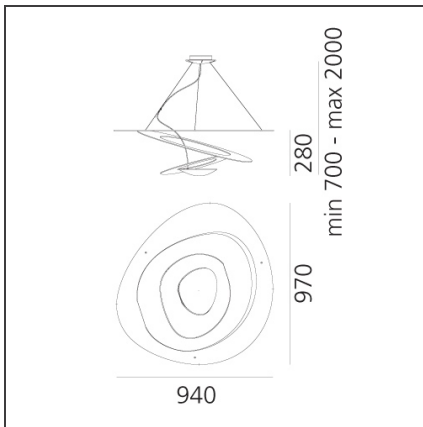
Giuseppe Maurizio Scutellà

## DESCRIPTION

Pirce's award-winning design is one of Artemide's top sellers. Originally released in halogen, its light source has been reimagined to incorporate a high quality, energy-efficient LED light source.

Pirce is not only an elegant light source, it is an alluring decoration with a strong sense of presence turned on or off. Its slim disc merges softly into flowing twirls that spiral downwards to create alluring lighting effects.

## TECHNICAL DRAWINGS



## FEATURES

<b>Article Code:</b>	1239010A	<b>Material:</b>	Aluminum
<b>Colour:</b>	White	<b>Series:</b>	Design
<b>Installation:</b>	Suspension	<b>Area contract:</b>	Residential
<b>Environment:</b>	Indoor	<b>Emission:</b>	Indirect

## DIMENSIONS

<b>Length:</b>	cm 94	<b>Glow Wire Test:</b>	650
<b>Width:</b>	cm 97		
<b>Height:</b>	cm 28		
<b>Max Height from ceiling:</b>	cm 200		

## NOT INCLUDED SOURCES

<b>Category:</b>	HALO	<b>Color temperature (K):</b>	2950K
<b>Number:</b>	1	<b>Class:</b>	A
<b>Watt:</b>	330W		
<b>Lbs:</b>	R7s		

## ALTERNATIVE SOURCES

<b>Category:</b>	LED
<b>Number:</b>	1
<b>Watt:</b>	11w
<b>Delivered lumens output (lm):</b>	1110lm
<b>Type:</b>	2
<b>Socket:</b>	R7s
<b>Class:</b>	A

## LUMINAIRE

<b>Watt:</b>	330W	<b>Delivered lumens output (lm):</b>	6433lm
<b>Voltage:</b>	220V-240V	<b>Efficiency:</b>	71%
		<b>Efficacy:</b>	16.08lm/W
		<b>CRI:</b>	0