

# Tagora Ceiling 570 - LED 4000K - Dali SwitchDim - Black/Orange



IP40 Dimmerable:

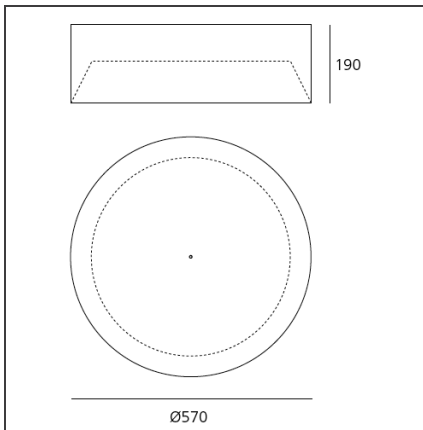
## DESIGN BY

S./R. Cornelissen

## DESCRIPTION

Series of ceiling mounted luminaires available in 4 diameters (80 mm, 270 mm, 570 mm, 970 mm), using high-output LEDs, Retrofit LEDs. □Aluminium body available in different two-coloured versions: beige/white, grey/white, black/orange, black/vert and black/blue. □Tagora 80 and 270 offer a high-output spot light with aluminium optics. □Tagora 270 uses a proprietary system based□on a hybrid combined lens and reflector optic. This system helps to create defined narrow beams using high-powered LED modules of large dimensions. □Tagora 570 and 970 come with a PMMA diffuser, offering a comfortable diffused light. LED versions use high-output sources. □Integrated electronic power supply, dimmable or non-dimmable options, depending on the version. Only ceiling mounted installation allowed.□Compliant with standard EN60598-1 and other specific standards.

## TECHNICAL DRAWINGS



## FEATURES

|                      |              |                  |           |
|----------------------|--------------|------------------|-----------|
| <b>Article Code:</b> | M248311      | <b>Material:</b> | Aluminium |
| <b>Colour:</b>       | Black/Orange | <b>Series:</b>   | Indoor    |
| <b>Installation:</b> | Ceiling      |                  |           |

## DIMENSIONS

|                |        |                        |         |
|----------------|--------|------------------------|---------|
| <b>Height:</b> | cm 19  | <b>Cutout shape:</b>   | Rounded |
| <b>Weight:</b> | kg 4.9 | <b>Glow Wire Test:</b> | 650     |

## INCLUDED SOURCES

|                  |     |                               |                 |
|------------------|-----|-------------------------------|-----------------|
| <b>Category:</b> | LED | <b>Color temperature (K):</b> | 4000K           |
| <b>Number:</b>   | 1   | <b>Color Tolerance:</b>       | MacAdam 3SDCM   |
| <b>Watt:</b>     | 58W | <b>CRI:</b>                   | 80              |
| <b>Type:</b>     | 0   | <b>Service Life:</b>          | L70 (6K) 50000h |
| <b>Class:</b>    | A   |                               |                 |

## LUMINAIRE

|                      |  |                                      |           |
|----------------------|--|--------------------------------------|-----------|
| <b>Power Supply:</b> | 220/240Vac 50/60Hz electronic ballast included | <b>Delivered lumens output (lm):</b> | 3820lm    |
| <b>Watt:</b>         | 58W  | <b>CCT:</b>                          | 4000K     |
| <b>Voltage:</b>      | 220V-240V                                      | <b>Efficiency:</b>                   | 43%       |
|                      |  | <b>Efficacy:</b>                     | 63.67lm/W |
|                      |  | <b>CRI:</b>                          | 80        |
|                      |  | <b>Dimmable Typology:</b>            | Dali      |