

Tagora Ceiling 970 - LED 4000K-Dali-SwitchDim- Beige/White



IP40 Dimmerable: + -

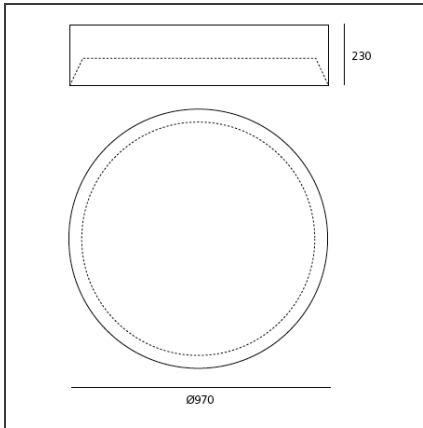
DESIGN BY

S./R. Cornelissen

DESCRIPTION

Series of ceiling mounted luminaires available in 4 diameters (80 mm, 270 mm, 570 mm, 970 mm), using high-output LEDs, Retrofit LEDs, 12V halogen lamps, metal halide and fluorescent sources. Aluminium body available in different two-coloured versions: beige/white, grey/white, black/orange, black/vert and black/blue. Tagora 80 and 270 offer high-output spot light with aluminium optics. 2 beam angles for LED version and 3 for HIT version. Tagora 270 LED uses a proprietary system based on a hybrid combined lens and reflector optic. This system helps to create defined narrow beams using high-powered LED modules of large dimensions. Tagora 570 and 970 come with a PMMA diffuser, offering a comfortable diffused light. LED versions use high-output sources. Monochromatic LED option with warm white (3000 K) and neutral white (4000 K) tones. Integrated electronic power supply, dimmable or non-dimmable options, depending on the version. Emergency lighting available on Tagora 570 fluorescent option. Only ceiling mounted installation allowed. Compliant with standard EN60598-1 and other specific standards.

TECHNICAL DRAWINGS



FEATURES

Article Code:	M248121	Material:	Aluminium
Colour:	Beige/White	Series:	Indoor
Installation:	Ceiling		

DIMENSIONS

Height:	cm 23	Cutout shape:	Rounded
Weight:	kg 16.2	Glow Wire Test:	650

INCLUDED SOURCES

Category:	LED	Color temperature (K):	4000K
Number:	1	Color Tolerance:	MacAdam 4SDCM
Watt:	100W	CRI:	=80 (typ.)
Delivered lumens output (lm):	13000lm	Efficacy:	130lm/W
Type:	0	Service Life:	L70(6K) > 36000h
Class:	A		

LUMINAIRE

Power Supply:	Electronic included	Delivered lumens output (lm):	6915lm
Watt:	84W	CCT:	4000K
Voltage:	220V-240V	Efficiency:	54%
		Efficacy:	82.32lm/W
		CRI:	80
		Dimmable Typology:	Dali