


# Tolomeo Micro Table - Anodized red - Body Lamp



IP20     

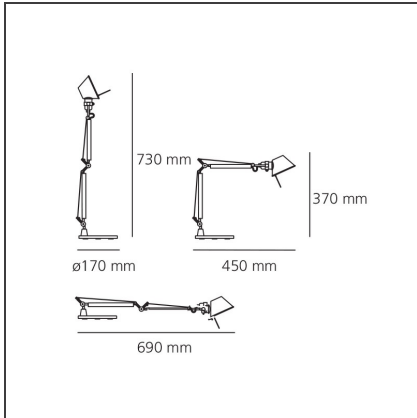
## DESIGN BY

Michele De Lucchi, Giancarlo Fassina

## DESCRIPTION

Base and cantilevered arms in polished aluminium; diffuser in matt anodised red aluminium; joints and supports in polished aluminium. System of spring balancing. The code is referred to the body lamp only

## TECHNICAL DRAWINGS



## FEATURES

<b>Article Code:</b>	A010910	<b>Material:</b>	Aluminium, steel
<b>Colour:</b>	Metal red	<b>Series:</b>	Design
<b>Installation:</b>	Table		

## DIMENSIONS

<b>Length:</b>	cm 45	<b>Max Extension Length:</b>	cm 69
<b>Height:</b>	cm 37		
<b>Base Diameter:</b>	cm 17		
<b>Max Extension Height:</b>	cm 73		

## NOT INCLUDED SOURCES

<b>Category:</b>	HALO	<b>Color Rendering:</b>	1a
<b>Number:</b>	1	<b>Color temperature (K):</b>	3000K
<b>Watt:</b>	46W		
<b>Lbs:</b>	Qt26		
<b>Socket:</b>	E14		

## ALTERNATIVE SOURCES

<b>Category:</b>	LED
<b>Number:</b>	1
<b>Watt:</b>	4W
<b>Type:</b>	2
<b>Socket:</b>	E14
<b>Class:</b>	A

## LUMINAIRE

<b>Watt:</b>	46W
<b>Voltage:</b>	220V-240V

## Notes

Interchangeable support: table base, clamp, desk fixed support and twin support that allows two independent lamp units to be fitted. Possibility to mount LED source on E14 Socket. Complete lamp consists of body lamp + accessories

**ACCESSORIES**

TOLOMEO  
MORSETTO  
A004100



TOLOMEO  
SUPP.TAVOLO  
FISSO  
A004200