

Tolomeo Micro Table LED 3000K - Body lamp + Base



IP20    

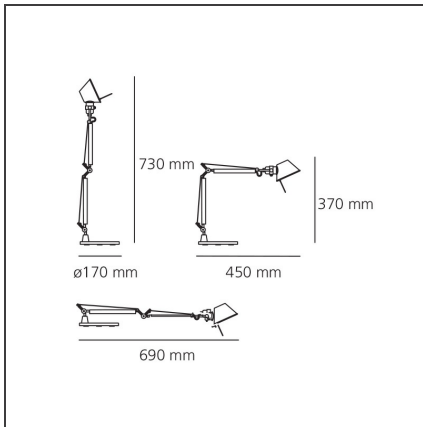
DESIGN BY

Michele De Lucchi, Giancarlo Fassina

DESCRIPTION

Using Led technology, the attention must be focused not only on energy consumption and light efficiency, but above all on the quality and quantity of the distribution of the light. In fact the advantage of the Led is that it emits 100% light flow into the direct hemisphere, eliminating dispersion and waste in other directions. This means that in order to obtain illuminance of 1250 lux on the work surface, with an incandescent light source a power of 100W is necessary, while with a Led source 10W is sufficient, with a 90% energy saving. Base and cantilevered arms in polished aluminium; diffuser in matt anodised aluminium; joints and supports in polished aluminium. System of spring balancing. The code is referred to the body lamp only

TECHNICAL DRAWINGS



FEATURES

Article Code:	A011900	Material:	Aluminium, steel
Colour:	Aluminium	Series:	Design
Installation:	Table		

DIMENSIONS

Length:	cm 45	Max Extension Length:	cm 69
Height:	cm 37	Glow Wire Test:	750
Base Diameter:	cm 17		
Max Extension Height:	cm 73		

INCLUDED SOURCES

Category:	LED	Color temperature (K):	3000K
Number:	1	CRI:	90
Watt:	9W		
Type:	0		
Class:	A		

LUMINAIRE

Watt:	9W	Delivered lumens output (lm):	461lm
Voltage:	24V	CCT:	3000K
		Efficiency:	63%
		Efficacy:	51.17lm/W
		CRI:	90
		Dimmer Typology:	Microswitch Dimmer

Notes

Interchangeable support: table base, clamp, desk fixed support and twin support that allows two independent lamp units to be fitted. Possibility to mount LED source on E14 Socket

LIGHT DISTRIBUTION

