

Tolomeo Micro Table - Polished aluminum - Body Lamp + Base



IP20     

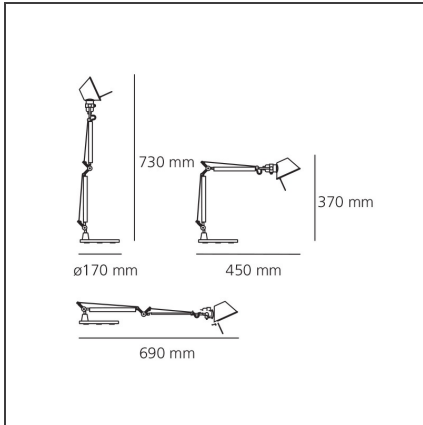
DESIGN BY

Michele De Lucchi, Giancarlo Fassina

DESCRIPTION

Base and cantilevered arms in polished aluminium; diffuser in polished aluminium; joints and supports in polished aluminium. System of spring balancing. The code is referred to the body lamp only

TECHNICAL DRAWINGS



FEATURES

Article Code:	A001300	Material:	Aluminium, steel
Colour:	Polished aluminium	Series:	Design
Installation:	Table		

DIMENSIONS

Length:	cm 45	Max Extension Length:	cm 69
Height:	cm 37		
Base Diameter:	cm 17		
Max Extension Height:	cm 73		

NOT INCLUDED SOURCES

Category:	HALO	Color Rendering:	1a
Number:	1	Color temperature (K):	3000K
Watt:	46W		
Lbs:	Qt26		
Socket:	E14		

ALTERNATIVE SOURCES

Category:	LED
Number:	1
Watt:	4W
Type:	2
Socket:	E14
Class:	A

LUMINAIRE

Watt:	46W
Voltage:	220V-240V

Notes

Interchangeable support: table base, clamp, desk fixed support and twin support that allows two independent lamp units to be fitted. Possibility to mount LED source on E14 Socket