

# Tolomeo table with presence detector LED 2700K - Body Lamp



IP20     

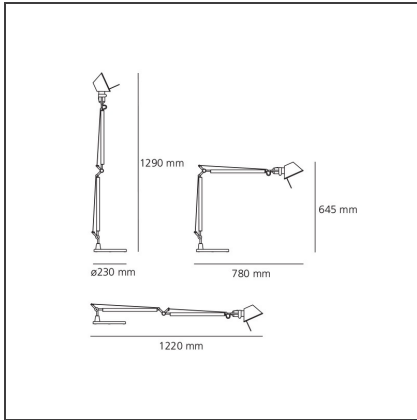
## DESIGN BY

Michele De Lucchi, Giancarlo Fassina

## DESCRIPTION

Using Led technology, the attention must be focused not only on energy consumption and light efficiency, but above all on the quality and quantity of the distribution of the light. In fact the advantage of the Led is that it emits 100% light flow into the direct hemisphere, eliminating dispersion and waste in other directions. This means that in order to obtain illuminance of 1250 lux on the work surface, with an incandescent light source a power of 100W is necessary, while with a Led source 10W is sufficient, with a 90% energy saving. Base and cantilevered arms in polished aluminium; diffuser in matt anodised aluminium; joints and supports in polished aluminium. System of spring balancing. 5 direct Led. The code refers to the luminaire's body only

## TECHNICAL DRAWINGS



## FEATURES

<b>Article Code:</b>	A0054W00	<b>Material:</b>	aluminium, steel
<b>Colour:</b>	Aluminium	<b>Series:</b>	Design
<b>Installation:</b>	Table		

## DIMENSIONS

<b>Length:</b>	cm 78	<b>Max Extension Length:</b>	cm 122
<b>Height:</b>	cm 64.5	<b>Glow Wire Test:</b>	750
<b>Base Diameter:</b>	cm 23		
<b>Max Extension Height:</b>	cm 129		

## INCLUDED SOURCES

<b>Category:</b>	LED	<b>Color temperature (K):</b>	2700K
<b>Number:</b>	1	<b>CRI:</b>	90
<b>Watt:</b>	10W		
<b>Type:</b>	0		
<b>Class:</b>	A		

## LUMINAIRE

<b>Watt:</b>	10W	<b>Delivered lumens output (lm):</b>	593lm
<b>Voltage:</b>	24V	<b>CCT:</b>	2700K
		<b>Efficiency:</b>	70%
		<b>Efficacy:</b>	59lm/W
		<b>CRI:</b>	90
		<b>Dimmer Typology:</b>	Microswitch Dimmer

## Notes

Interchangeable support: table base, clamp, desk fixed support and twin support that allows two independent lamp units to be fitted. Complete lamp consists of body lamp + accessories

**ACCESSORIES**

TOLOMEO  
MORSETTO  
A004100



TOLOMEO BASE  
TV ALL D230  
A004030



TOLOMEO  
SUPP.TAVOLO  
FISSO  
A004200