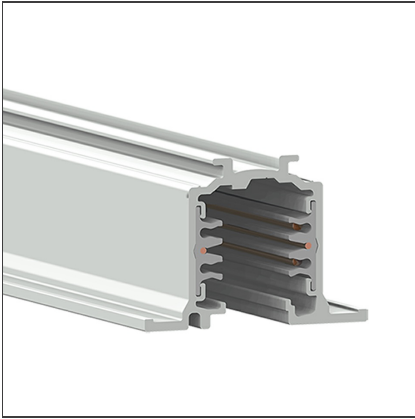


## Track 230V Recessed three-circuit track 2000mm White



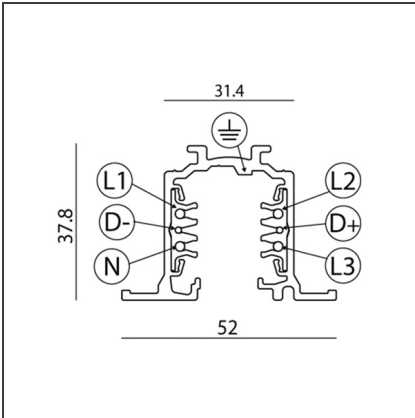
### DESIGN

Carlotta de Bevilacqua

### BESCHREIBUNG

The system is a 3 phase mixed system with two additional conductors intended to manage a general data signal (for example dali, dmx, lon, eib, etc.). The system is EN 60570 certified and its installation must be accomplished by highly qualified person. There are four possible installation systems: directly on ceiling or on wall, using the needlepoints on the track, on ceiling or on wall using a metal clip, hanging by the suspension or recessed without exceeding the maximum loads.

### TECHNISCHE ZEICHNUNGEN



### FUNKTIONEN

<b>Artikelnummer:</b>	TK10201	<b>Serie:</b>	Indoor
<b>Farbe:</b>	White		
<b>Installation:</b>	Projector, Stromschiene		
<b>Anwendungsbereich:</b>	Innenbeleuchtung		

### DIMENSION

<b>Länge:</b>	cm 200	<b>Breit Ausschnitt:</b>	cm 31.4
<b>Breite:</b>	cm 52		
<b>Höhe:</b>	cm 37.8		

**ZUBEHÖR**



Track 230V  
Recessed three-circuit track - End cap White  
TK10501



Track 230V  
Recessed three-circuit track - Power supply end cap Earth conductor on the left. White  
TK10801



Track 230V  
Recessed three-circuit track - Power supply end cap Earth conductor on the right. White  
TK10701



Track 230V  
Recessed three-circuit track - Recessed joint White  
TK10601



Track 230V  
External three-circuit track - Universal adapter 6 conductors. White  
TK20701



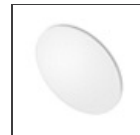
Track 230V  
External three-circuit track - Universal adapter 4 conductors. White  
TK20801



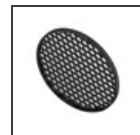
Accessories holder - Vector 55  
AP91100



Lens for elliptical emission - Vector 55  
AP91200



Soft filter - Vector 55  
AP91300



Anti-dazzle louvre - Vector 55  
AP91400



Adjustable dowsers - Vector 55  
AP91500