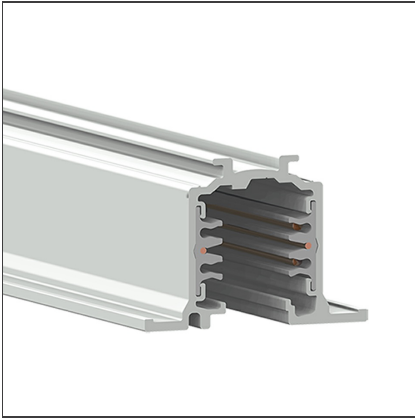


## Track 230V Recessed three-circuit track 4000mm Black



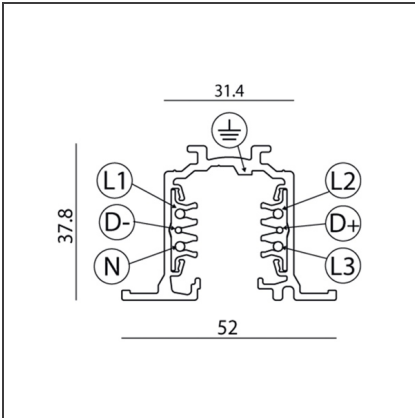
### DESIGN

Carlotta de Bevilacqua

### BESCHREIBUNG

The system is a 3 phase mixed system with two additional conductors intended to manage a general data signal (for example dali, dmx, lon, eib, etc.). The system is EN 60570 certified and its installation must be accomplished by highly qualified person. There are four possible installation systems: directly on ceiling or on wall, using the needlepoints on the track, on ceiling or on wall using a metal clip, hanging by the suspension or recessed without exceeding the maximum loads.

### TECHNISCHE ZEICHNUNGEN



### FUNKTIONEN

<b>Artikelnummer:</b>	TK10404	<b>Serie:</b>	Indoor
<b>Farbe:</b>	Black		
<b>Installation:</b>	Projector, Stromschiene		
<b>Anwendungsbereich:</b>	Innenbeleuchtung		

### DIMENSION

<b>Länge:</b>	cm 400	<b>Breit Ausschnitt:</b>	cm 31.4
<b>Breite:</b>	cm 52		
<b>Höhe:</b>	cm 37.8		

**ZUBEHÖR**

Track 230V  
Recessed three-  
circuit track -  
Power supply end  
capEarth  
conductor on the  
left. Black  
TK10804



Track 230V  
Recessed three-  
circuit track -  
Power supply end  
capEarth  
conductor on the  
right. Black  
TK10704



Accessories holder  
- Vector 55  
AP91100



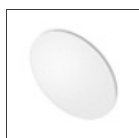
Track 230V  
External three-  
circuit track -  
Universal adapter  
6 conductors.  
Black  
TK20704



Lens for elliptical  
emission - Vector  
55  
AP91200



Track 230V  
External three-  
circuit track -  
Universal adapter  
4 conductors.  
Black  
TK20804



Soft filter - Vector  
55  
AP91300



Anti-dazzle louvre  
- Vector 55  
AP91400



Adjustable  
dowsers - Vector  
55  
AP91500