




Vector Magnetic 40 - 10W 13° 2700K DALI Brushed copper



IP20   Dimmbar: +  -

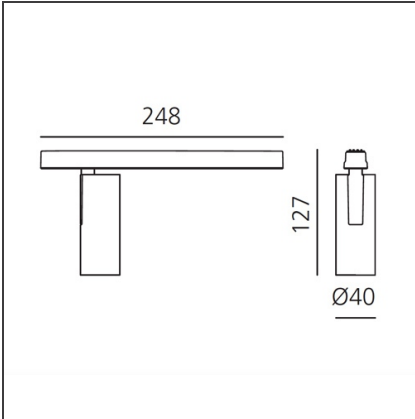
DESIGN

Carlotta de Bevilacqua

BESCHREIBUNG

Two sizes with three different beam angles each (spot, flood, wide flood) obtained by means of refractive or hybrid optical units. Junction arm integrated in the spotlight's body to keep the barycentre aligned with the track and prevent any imbalance in possible suspension versions of the track. The junction allows 360° rotation and 90° tilting for maximum emission adjustment freedom.

TECHNISCHE ZEICHNUNGEN



FUNKTIONEN

Artikelnummer:	AP01118	Serie:	Indoor, 2018
Farbe:	Brushed copper		Artemide Collection
Installation:	Projector, Stromschiene		
Anwendungsbereich:	Innenbeleuchtung		

DIMENSION

Höhe:	cm 12.7
Länge Fuß:	cm 24.8
Neigung:	-90+90
Drehung:	cm 360

INKLUSIVE LEUCHTMITTEL

Kategorie:	LED	Farbtemperatur(K):	2700K
Anzahl:	1	Color Tolerance:	MacAdam 3SDCM
Watt:	10W	CRI:	90
Typ:	0	Service Life:	L70 (6K) 50000h

LUMINAIRE

Watt:	10W	Lichtstrom (lm):	505lm
		CCT:	2700K
		Efficiency:	81%
		Efficacy:	50.53lm/W
		CRI:	90
		Dimmable Typology:	Dali

Anmerkungen

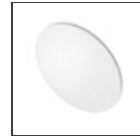
For operation use only Artemide Power Supply kit.

ZUBEHÖR

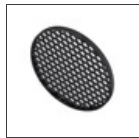
Accessories holder
- Vector 40
AP90100



Lens for elliptical
emission - Vector
40
AP90200



Soft filter - Vector
40
AP90300



Anti-dazzle louvre
- Vector 40
AP90400