




Vector Magnetic 40 - 10W 20° 2700K DALI Black


 IP20   Dimmbar: +  -

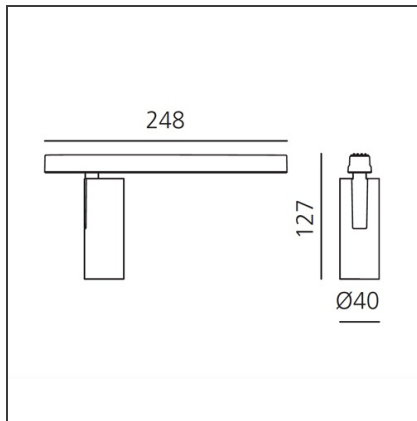
DESIGN

Carlotta de Bevilacqua

BESCHREIBUNG

Two sizes with three different beam angles each (spot, flood, wide flood) obtained by means of refractive or hybrid optical units. Junction arm integrated in the spotlight's body to keep the barycentre aligned with the track and prevent any imbalance in possible suspension versions of the track. The junction allows 360° rotation and 90° tilting for maximum emission adjustment freedom.

TECHNISCHE ZEICHNUNGEN



FUNKTIONEN

| | | | |
|---------------------------|----------------------------|---------------|-------------------------------------|
| Artikelnummer: | AP01204 | Serie: | Indoor, 2019 Artemide Collection |
| Farbe: | Black | | |
| Installation: | Stromschiene, Projector | | |
| Anwendungsbereich: | Innenbeleuchtung | | |

DIMENSION

| | |
|-------------------|---------|
| Höhe: | cm 12.7 |
| Gewicht: | kg 0.3 |
| Länge Fuß: | cm 24.8 |
| Neigung: | -90+90 |
| Drehung: | cm 360 |

INKLUSIVE LEUCHTMITTEL

| | | | |
|-------------------|-----|---------------------------|-----------------|
| Kategorie: | LED | Farbtemperatur(K): | 2700K |
| Anzahl: | 1 | Color Tolerance: | MacAdam 3SDCM |
| Watt: | 10W | CRI: | 90 |
| Typ: | 0 | Service Life: | L70 (6K) 50000h |

LUMINAIRE

| | | | |
|--------------|-----|---------------------------|-----------|
| Watt: | 10W | Lichtstrom (lm): | 543lm |
| | | CCT: | 2700K |
| | | Efficiency: | 69% |
| | | Efficacy: | 54.25lm/W |
| | | CRI: | 90 |
| | | Dimmable Typology: | Dali |

Anmerkungen

For operation use only Artemide Power Supply kit.

ZUBEHÖR

Accessories holder
- Vector 40
AP90100



Lens for elliptical
emission - Vector
40
AP90200



Soft filter - Vector
40
AP90300



Anti-dazzle louvre
- Vector 40
AP90400