

# Vector Magnetic 55 - 26W 16° 3000K DALI Brushed copper



IP20   Dimmerable:  -

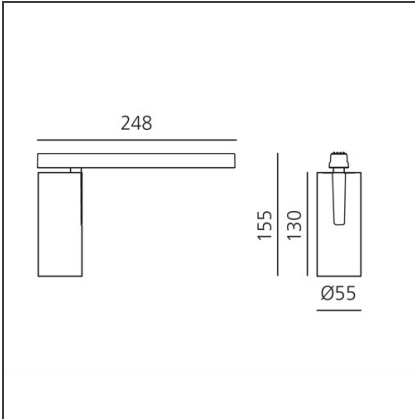
## DESIGN BY

Carlotta de Bevilacqua

## DESCRIPTION

Two sizes with three different beam angles each (spot, flood, wide flood) obtained by means of refractive or hybrid optical units. Junction arm integrated in the spotlight's body to keep the barycentre aligned with the track and prevent any imbalance in possible suspension versions of the track. The junction allows 360° rotation and 90° tilting for maximum emission adjustment freedom.

## TECHNICAL DRAWINGS



## FEATURES

<b>Article Code:</b>	AP10118	<b>Series:</b>	Indoor, 2018
<b>Colour:</b>	Brushed copper		Artemide Collection
<b>Installation:</b>	Projector, Track		
<b>Environment:</b>	Indoor		

## DIMENSIONS

<b>Height:</b>	cm 15.5
<b>Base Length:</b>	cm 24.8
<b>Inclination:</b>	-90+90
<b>Rotation:</b>	cm 360

## INCLUDED SOURCES

<b>Category:</b>	LED	<b>Color temperature (K):</b>	3000K
<b>Number:</b>	1	<b>Color Tolerance:</b>	MacAdam 3SDCM
<b>Watt:</b>	26W	<b>CRI:</b>	90
<b>Type:</b>	0	<b>Service Life:</b>	L70 (6K) 50000h

## LUMINAIRE

<b>Watt:</b>	26W	<b>Delivered lumens output (lm):</b>	1492lm
		<b>CCT:</b>	3000K
		<b>Efficiency:</b>	64%
		<b>Efficacy:</b>	57.40lm/W
		<b>CRI:</b>	90
		<b>Dimmable Typology:</b>	Dali

## Notes

For operation use only Artemide Power Supply kit.

**ACCESSORIES**

Accessories holder  
- Vector 55  
AP91100



Lens for elliptical  
emission - Vector  
55  
AP91200



Soft filter - Vector  
55  
AP91300



Anti-dazzle louvre  
- Vector 55  
AP91400



Adjustable  
dowsers - Vector  
55  
AP91500