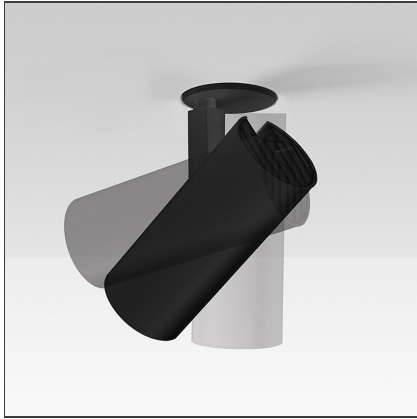


## Vector Recessed 55 - 16° 3000K Black



IP20   

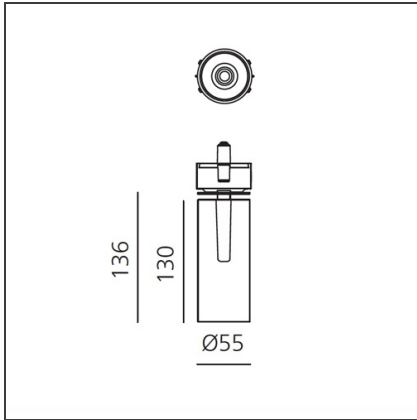
### DESIGN BY

Carlotta de Bevilacqua

### DESCRIPTION

Two sizes with three different beam angles each (spot, flood, wide flood) obtained by means of refractive or hybrid optical units. The junction allows 360° rotation and 90° tilting for maximum emission adjustment freedom. Vector 40 and 55 available version: recessed trim or trimless.

### TECHNICAL DRAWINGS



### FEATURES

|                      |                     |                  |                 |
|----------------------|---------------------|------------------|-----------------|
| <b>Article Code:</b> | AP51104             | <b>Material:</b> | Alluminium body |
| <b>Colour:</b>       | Black               | <b>Series:</b>   | Indoor          |
| <b>Installation:</b> | Recessed, Projector |                  |                 |
| <b>Environment:</b>  | Indoor              |                  |                 |

### DIMENSIONS

|                     |         |                         |        |
|---------------------|---------|-------------------------|--------|
| <b>Height:</b>      | cm 13.6 | <b>Cutout diameter:</b> | cm 8.6 |
| <b>Inclination:</b> | -90+90  |                         |        |
| <b>Rotation:</b>    | cm 360  |                         |        |

### INCLUDED SOURCES

|                  |       |                               |                 |
|------------------|-------|-------------------------------|-----------------|
| <b>Category:</b> | LED   | <b>Color temperature (K):</b> | 3000K           |
| <b>Number:</b>   | 1     | <b>Color Tolerance:</b>       | MacAdam 3SDCM   |
| <b>Watt:</b>     | 17,5W | <b>CRI:</b>                   | 90              |
| <b>Type:</b>     | 0     | <b>Service Life:</b>          | L70 (6K) 50000h |

### LUMINAIRE

|              |       |                                      |                   |
|--------------|-------|--------------------------------------|-------------------|
| <b>Watt:</b> | 17.5W | <b>Delivered lumens output (lm):</b> | 1248lm            |
|              |       | <b>CCT:</b>                          | 3000K             |
|              |       | <b>Efficiency:</b>                   | 64%               |
|              |       | <b>Efficacy:</b>                     | 7.131.428.571lm/W |
|              |       | <b>CRI:</b>                          | 90                |

### Notes

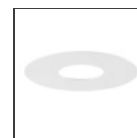
Trimless recessed structure not included, to be ordered separately. Driver 700/500mA SELV supplied separately. Depending on the driver, the product can be dimmable DALI or undimmable.

**ACCESSORIES**

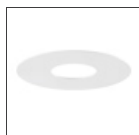
Driver 15-36W  
500-700mA - 220-  
24Vac -  
Undimmable -  
146,5x43,5x22 mm  
(LxWxH)  
dv1030



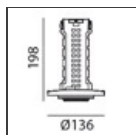
Driver 11-25W  
500-700mA - 220-  
24Vac - Dimmable  
DALI -  
164x38x24,5 mm  
(LxWxH)  
dv1031



Vector 55 -  
Optional Trim  
Frame Ø 108 -  
White  
Ap59101



Vector 55 -  
Optional Trim  
Frame Ø 108 -  
Black  
Ap59104



Vector 40 -  
Trimless recessed  
structure  
AP50000