

Vector Track 40 10W 13° 3000K Undimmable Brushed copper


 IP20 

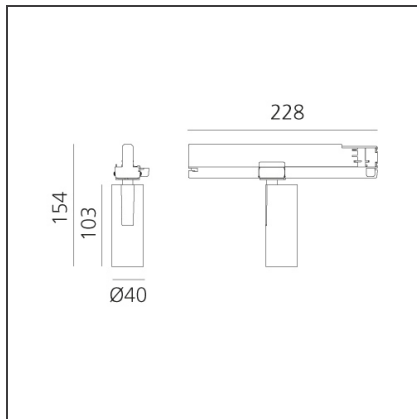
DESIGN

Carlotta de Bevilacqua

BESCHREIBUNG

Three sizes with three different beam angles each (spot, flood, wide flood) obtained by means of refractive or hybrid optical units. Vector 55 track DALI zoom optic (22°-32°). Junction arm integrated in the spotlight's body to keep the barycentre aligned with the track and prevent any imbalance in possible suspension versions of the track. The junction allows 360° rotation and 90° tilting for maximum emission adjustment freedom. Vector 95 available only in track version. Version with compact 4-conductor (3p+n) adapter with hidden LED driver and not-dimmable phase selector.

TECHNISCHE ZEICHNUNGEN



FUNKTIONEN

Artikelnummer:	AN00118	Serie:	Indoor
Farbe:	Brushed copper		
Installation:	Projector, Stromschiene		
Anwendungsbereich:	Innenbeleuchtung		

DIMENSION

Höhe:	cm 15.4
Länge Fuß:	cm 22.8
Neigung:	-90+90
Drehung:	cm 360

INKLUSIVE LEUCHTMITTEL

Kategorie:	LED	Farbtemperatur(K):	3000K
Anzahl:	1	Color Tolerance:	MacAdam 3SDCM
Watt:	10W	Service Life:	L70 (6K) 50000h
Typ:	0		
Class:	A		

LUMINAIRE

Watt:	10W	Lichtstrom (lm):	541lm
		CCT:	3000K
		Efficiency:	81%
		Efficacy:	54.09lm/W
		CRI:	90

Anmerkungen

220/240Vac 50/60Hz Electronic ballast included.

ZUBEHÖR

Accessories holder
- Vector 40
AP90100



Lens for elliptical
emission - Vector
40
AP90200



Soft filter - Vector
40
AP90300



Anti-dazzle louvre
- Vector 40
AP90400