

Vector Track 40 10W 13° 4000K DALI Brushed Bronze



IP20 Dimmbar: +  -

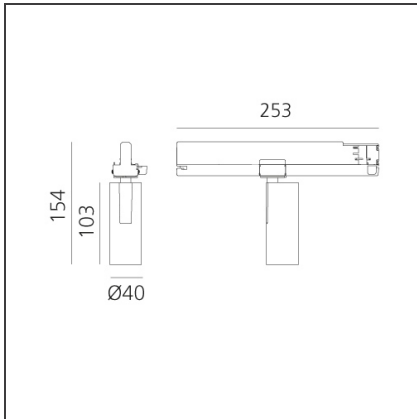
DESIGN

Carlotta de Bevilacqua

BESCHREIBUNG

Three sizes with three different beam angles each (spot, flood, wide flood) obtained by means of refractive or hybrid optical units. Vector 55 track DALI zoom optic (22°-32°). Junction arm integrated in the spotlight's body to keep the barycentre aligned with the track and prevent any imbalance in possible suspension versions of the track. The junction allows 360° rotation and 90° tilting for maximum emission adjustment freedom. Vector 95 available only in track version. Version with compact 4-conductor (3p+n) adapter with hidden LED driver and not-dimmable phase selector.

TECHNISCHE ZEICHNUNGEN



FUNKTIONEN

| | | | |
|---------------------------|----------------------------|---------------|--------|
| Artikelnummer: | AN05620 | Serie: | Indoor |
| Farbe: | Brushed Bronze | | |
| Installation: | Projector, Stromschiene | | |
| Anwendungsbereich: | Innenbeleuchtung | | |

DIMENSION

| | |
|-------------------|---------|
| Höhe: | cm 15.4 |
| Länge Fuß: | cm 25.3 |
| Neigung: | -90+90 |
| Drehung: | cm 360 |

INKLUSIVE LEUCHTMITTEL

| | | | |
|-------------------|-----|---------------------------|-----------------|
| Kategorie: | LED | Farbtemperatur(K): | 4000K |
| Anzahl: | 1 | Color Tolerance: | MacAdam 3SDCM |
| Watt: | 10W | Service Life: | L70 (6K) 50000h |
| Typ: | 0 | | |
| Class: | A | | |

LUMINAIRE

| | | | |
|--------------|-----|---------------------------|-----------|
| Watt: | 10W | Lichtstrom (lm): | 540lm |
| | | CCT: | 4000K |
| | | Efficiency: | 81% |
| | | Efficacy: | 54.09lm/W |
| | | CRI: | 90 |
| | | Dimmable Typology: | Dali |

Anmerkungen

220/240Vac 50/60Hz Electronic ballast included.

ZUBEHÖR

Accessories holder
- Vector 40
AP90100



Lens for elliptical
emission - Vector
40
AP90200



Soft filter - Vector
40
AP90300



Anti-dazzle louvre
- Vector 40
AP90400