

## Vector Track 55 25W 32° 2700K Undimmable Brushed copper


 IP20 

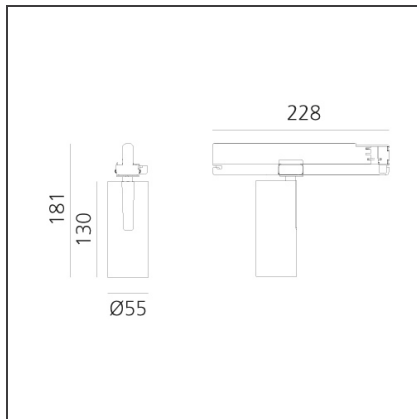
### DESIGN

Carlotta de Bevilacqua

### BESCHREIBUNG

Three sizes with three different beam angles each (spot, flood, wide flood) obtained by means of refractive or hybrid optical units. Vector 55 track DALI zoom optic (22°-32°). Junction arm integrated in the spotlight's body to keep the barycentre aligned with the track and prevent any imbalance in possible suspension versions of the track. The junction allows 360° rotation and 90° tilting for maximum emission adjustment freedom. Vector 95 available only in track version. Version with compact 4-conductor (3p+n) adapter with hidden LED driver and not-dimmable phase selector.

### TECHNISCHE ZEICHNUNGEN



### FUNKTIONEN

<b>Artikelnummer:</b>	AN11318	<b>Serie:</b>	Indoor
<b>Farbe:</b>	Brushed Copper		
<b>Installation:</b>	Projector, Stromschiene		
<b>Anwendungsbereich:</b>	Innenbeleuchtung		

### DIMENSION

<b>Höhe:</b>	cm 18.4
<b>Länge Fuß:</b>	cm 16.2
<b>Neigung:</b>	-90+90
<b>Drehung:</b>	cm 360

### INKLUSIVE LEUCHTMITTEL

<b>Kategorie:</b>	LED	<b>Farbtemperatur(K):</b>	2700K
<b>Anzahl:</b>	1		
<b>Watt:</b>	25W		
<b>Typ:</b>	0		

### LUMINAIRE

<b>Watt:</b>	25W	<b>Lichtstrom (lm):</b>	1534lm
		<b>CCT:</b>	2700K
		<b>Efficiency:</b>	68%
		<b>Efficacy:</b>	61.36lm/W
		<b>CRI:</b>	90

### Anmerkungen

220/240Vac 50/60Hz Electronic ballast included.

**ZUBEHÖR**

Accessories holder  
- Vector 55  
AP91100



Lens for elliptical  
emission - Vector  
55  
AP91200



Soft filter - Vector  
55  
AP91300



Anti-dazzle louvre  
- Vector 55  
AP91400



Adjustable  
dowsers - Vector  
55  
AP91500