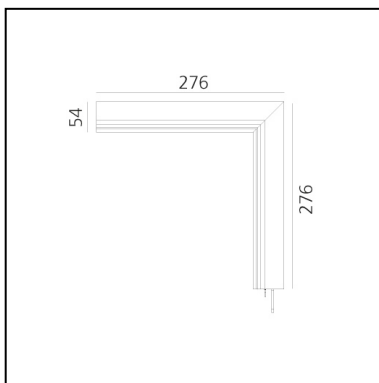


A.24 - Recessed Magnetic Track - 90° Recessed Wall/Ceiling Track Corner (on perpendicular planes) - White

Carlotta de Bevilacqua



IP20   



Notes

Each linear, angle and curved elements are provided with mechanical and electrical joints and installation accessories. End caps have to be ordered separately. Depending on the driver, the product can be undimmable or dimmable DALI.

DESCRIPTION

A.24 is a new comprehensive and flexible system to design light in space. A single profile, only 24 mm thick, can be installed in the recessed, ceiling or suspension mode to continuously follow the angles on a flat or three-dimensional surface. This profile hosts to a variety of performance options: diffused light, sharp optical units with three beam angles, or a smart magnetic track. This makes A.24 a flexible system, as well as an open platform to accommodate other products from the Architectural collection. The suspension version also features direct emission. The three solutions can be alternated to match the architecture and the room functions with utmost flexibility. The competence of Artemide is revealed by the quality of light, as well as by the ability of A.24 to freely move in space, with direct power connection points up to 14 metres apart.

PRODUCT CODE: AQ15601

FEATURES

- Article Code: **AQ15601**
- Colour: **White**
- Installation: **Recessed**
- Series: **Architectural Indoor**
- Environment: **Indoor**
- design by: **Carlotta de Bevilacqua**

DIMENSIONS

- Length: **cm 27.6**
- Height: **cm 27.6**
- Weight: **cm 0.8**

Accessories



4pcs feed connectors (for powering multiple sections with a single power kit) AQ90500



Power cable, 2x0.75 + 2x0.35, mm2 (to realized customized power cable) - 10m - White AQ90600



Power cable, 2x0.75 + 2x0.35, mm2 (to realized customized power cable) - 50m - White AQ90700



Power cable, 2x0.75 + 2x0.35, mm2 (to realized customized power cable) - 10m - Black AQ90800



Power cable, 2x0.75 + 2x0.35, mm2 (to realized customized power cable) - 50m - Black AQ90900



240W Ceiling power supply kit (cable length 2,2 m) - 230VAC-48VDC - IP20 - 321x91x111H - White - APP Compatible AQ17201APP



A.24 - Recessed - Transition joint - Use between different typology modules (track-diffusing-sharping) - White AQ29001



240W Ceiling power supply kit (cable length 2,2 m) - 230VAC-48VDC - IP20 - 321x91x111H - Black - APP Compatible AQ17204APP



240W Remote box power supply kit (2 connectors) - 230VAC-48VDC - IP20 - 313x243x57,5H - DALI AQ16000



150W Ceiling power supply kit (cable length 2,2 m) - 230VAC-48VDC - IP20 - 321x91x111H - White - APP Compatible AQ17701APP



240W Recessed power supply kit (cable length 2,2 m) - 230VAC-48VDC - IP20 - 396x195x112H - DALI AQ16801



150W Ceiling power supply kit (cable length 2,2 m) - 230VAC-48VDC - IP20 - 321x91x111H - Black - APP Compatible AQ17704APP



240W Remote box power supply kit (2 connectors) - 230VAC-48VDC - IP20 - 313x243x57,5H - APP Compatible AQ16000APP



150W Ceiling power supply kit (cable length 2,2 m) - 230VAC-48VDC - IP20 - 321x91x111H - White - Undimmable AQ17901



150W Ceiling power supply kit (cable length 2,2 m) - 230VAC-48VDC - IP20 - 321x91x111H - Black - Undimmable AQ17904



240W Bare power supply + plug 230VAC-48VDC IP20 - Undimmable (for dimmable version to be combined with "DALI-Selv interface") AQ18000



150W Bare power supply + plug 230VAC-48VDC IP20 - Undimmable (for dimmable version to be combined with "DALI-Selv interface") AQ18100



240W Ceiling power supply kit (cable length 2,2 m) - 230VAC-48VDC - IP20 - 321x91x111H - White - DALI AQ17201



240W Ceiling power supply kit (cable length 2,2 m) - 230VAC-48VDC - IP20 - 321x91x111H - Black - DALI AQ17204



240W Recessed power supply kit (cable length 2,2 m) - 230VAC-48VDC - IP20 - 396x195x112H - Undimmable AQ17801



240W Ceiling power supply kit (cable length 2,2 m) - 230VAC-48VDC - IP20 - 321x91x111H - White - Undimmable AQ17301



240W Ceiling power supply kit (cable length 2,2 m) - 230VAC-48VDC - IP20 - 321x91x111H - Black - Undimmable AQ17304



A.24 - Recessed - Insulating spacer - Use between modules powered by different power supplies. (1pcs) - White AQ15201



A.24 - Recessed - End caps. (2pcs) - White AQ15301



240W Recessed power supply kit (cable length 2,2 m) - 230VAC-48VDC - IP20 - 396x195x112H - APP Compatible AQ16801APP



150W Ceiling power supply kit (cable length 2,2 m) - 230VAC-48VDC - IP20 - 321x91x111H - White - DALI AQ17701



150W Ceiling power supply kit (cable length 2,2 m) - 230VAC-48VDC - IP20 - 321x91x111H - Black - DALI AQ17704



DALI to DALI-Selv Interface 103x67x21H AQ18200