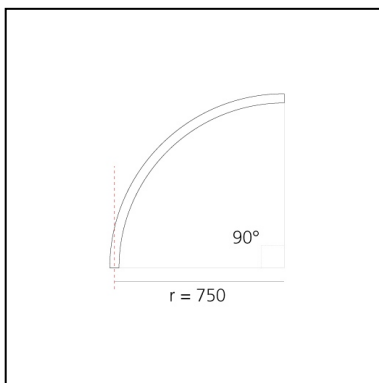


A.24 - Wall/Ceiling Diffused Emission - Curved Elements - R=750mm - $\alpha=90^\circ$ - 3000K - White

Carlotta de Bevilacqua



IP20     Dimmerable: 



LUMINAIRE

- Watt: **33W**
- Delivered lumens output: **2735lm**
- CCT: **3000K**
- Efficiency: **60%**
- Efficacy: **82.87lm/W**
- CRI: **80**

Notes

For curved systems use only flexible opal diffusing screen. Do not mix flexible diffusing screen and opal diffusing screen.

*Uses 1 DALI address.

Each module, angle and curved elements are provided with mechanical and electrical joints and installation accessories.

End caps have to be ordered separately.

Opal diffusing screen has to be ordered separately.

Depending on the driver, the product can be undimmable or dimmable

DALI.

DESCRIPTION

A.24 is a new comprehensive and flexible system to design light in space. A single profile, only 24 mm thick, can be installed in the recessed, ceiling or suspension mode to continuously follow the angles on a flat or three-dimensional surface. This profile hosts to a variety of performance options: diffused light, sharp optical units with three beam angles, or a smart magnetic track. This makes A.24 a flexible system, as well as an open platform to accommodate other products from the Architectural collection. The suspension version also features direct emission. The three solutions can be alternated to match the architecture and the room functions with utmost flexibility. The competence of Artemide is revealed by the quality of light, as well as by the ability of A.24 to freely move in space, with direct power connection points up to 14 metres apart.

PRODUCT CODE: AQ63101

FEATURES

- Article Code: **AQ63101**
- Colour: **White**
- Installation: **WallCeiling**
- Series: **Architectural Indoor**
- Environment: **Indoor**
- Emission: **Direct**
- design by: **Carlotta de Bevilacqua**

DIMENSIONS

- Width: **cm 2.7**
- Height: **cm 5.4**

SOURCES INCLUDED

- Category: **Led**
- Number: **1**
- Watt: **33W**
- Color temperature (K): **3000K**
- Color Tolerance: **MacAdam 2SDCM**
- Service Life: **L70 (6K) 50000h**

Accessories

NO
IMAGE
AVAILABLE

4pcs feed connectors (for powering multiple sections with a single power kit) AQ90500

NO
IMAGE
AVAILABLE

Power cable, 2x0.75 + 2x0.35, mm2 (to realized customized power cable) - 10m - White AQ90600

NO
IMAGE
AVAILABLE

Power cable, 2x0.75 + 2x0.35, mm2 (to realized customized power cable) - 50m - White AQ90700

NO
IMAGE
AVAILABLE

Power cable, 2x0.75 + 2x0.35, mm2 (to realized customized power cable) - 10m - Black AQ90800

NO
IMAGE
AVAILABLE

Power cable, 2x0.75 + 2x0.35, mm2 (to realized customized power cable) - 50m - Black AQ90900



240W Ceiling power supply kit (cable length 2,2 m) - 230VAC-48VDC - IP20 - 321x91x111H - White - APP Compatible AQ17201APP



240W Ceiling power supply kit (cable length 2,2 m) - 230VAC-48VDC - IP20 - 321x91x111H - Black - APP Compatible AQ17204APP



240W Remote box power supply kit (2 connectors) - 230VAC-48VDC - IP20 - 313x243x57,5H - DALI AQ16000



150W Ceiling power supply kit (cable length 2,2 m) - 230VAC-48VDC - IP20 - 321x91x111H - White - APP Compatible AQ17701APP



240W Recessed power supply kit (cable length 2,2 m) - 230VAC-48VDC - IP20 - 396x195x112H - DALI AQ16801



150W Ceiling power supply kit (cable length 2,2 m) - 230VAC-48VDC - IP20 - 321x91x111H - Black - APP Compatible AQ17704APP



240W Remote box power supply kit (2 connectors) - 230VAC-48VDC - IP20 - 313x243x57,5H - APP Compatible AQ16000APP



A.24 - Ceiling - Transition joint - Use between different typology modules (track-diffusing-sharping) - White AQ39401



150W Ceiling power supply kit (cable length 2,2 m) - 230VAC-48VDC - IP20 - 321x91x111H - White - Undimmable AQ17901



150W Ceiling power supply kit (cable length 2,2 m) - 230VAC-48VDC - IP20 - 321x91x111H - Black - Undimmable AQ17904



240W Bare power supply + plug 230VAC-48VDC IP20 - Undimmable (for dimmable version to be combined with "DALI-Selv interface") AQ18000



A.24 - Flexible Opal Diffusing Screen - 5m AQ90300



150W Bare power supply + plug 230VAC-48VDC IP20 - Undimmable (for dimmable version to be combined with "DALI-Selv interface") AQ18100



A.24 - Ceiling - Cap for cable passage. (1pcs) - White AQ35301



A.24 - Ceiling - Insulating Spacer - Use between modules powered by different power supplies (1pcs) - White AQ35101



240W Ceiling power supply kit (cable length 2,2 m) - 230VAC-48VDC - IP20 - 321x91x111H - White - DALI AQ17201



240W Ceiling power supply kit (cable length 2,2 m) - 230VAC-48VDC - IP20 - 321x91x111H - Black - DALI AQ17204



A.24 - Flexible Opal Diffusing Screen - 10m AQ90000



240W Recessed power supply kit (cable length 2,2 m) - 230VAC-48VDC - IP20 - 396x195x112H - Undimmable AQ17801



A.24 - Flexible Opal Diffusing Screen - 25m AQ90100



240W Ceiling power supply kit (cable length 2,2 m) - 230VAC-48VDC - IP20 - 321x91x111H - White - Undimmable AQ17301



A.24 - Flexible Opal Diffusing Screen - 50m AQ90200



240W Ceiling power supply kit (cable length 2,2 m) - 230VAC-48VDC - IP20 - 321x91x111H - Black - Undimmable AQ17304



240W Recessed power supply kit (cable length 2,2 m) - 230VAC-48VDC - IP20 - 396x195x112H - APP Compatible AQ16801APP



A.24 - Ceiling - End caps. (2pcs) - White AQ35001



150W Ceiling power supply kit (cable length 2,2 m) - 230VAC-48VDC - IP20 - 321x91x111H - White - DALI AQ17701



150W Ceiling power supply kit (cable length 2,2 m) - 230VAC-48VDC - IP20 - 321x91x111H - Black - DALI AQ17704



DALI to DALI-Selv Interface 103x67x21H AQ18200