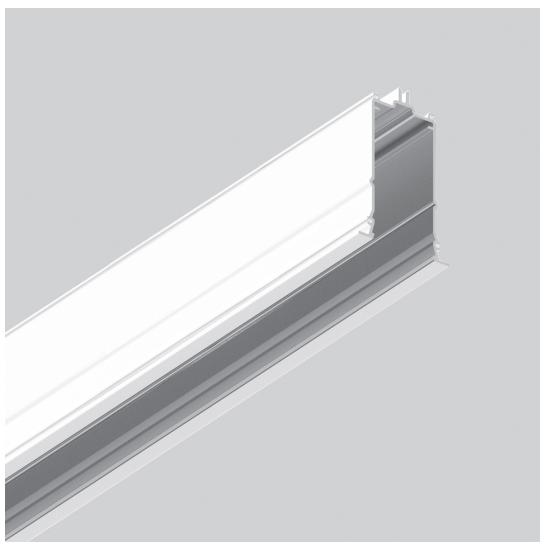


Algoritmo Controlled - Prismoptic Emission - Structural module recessed - Trim 1184mm White

Carlotta de Bevilacqua
Paola di Arianello



DESCRIPTION

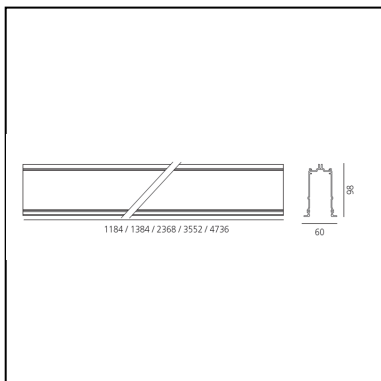
A modular system for ceiling or wall-recessed installation, to be installed as a continuous line or with angles, composed of structural modules in extruded aluminium, of pre-wired gear plates with through-wiring and quick-connection system of optics systems and components for connecting, fixing, joining or finishing the system. The prewired LED plates were designed for diffused emission, wall washer light, prismoptic or controlled emission, for projectors integration (PAD or Cube 37), for 3 phase track alimentation. Complies with standard EN60598-1 and any other specific standard.

CARACTÉRISTIQUES

- Code Produit : **M293420**
- Couleur: **White**
- Installation: **Encastré**
- Séries: **Architectural Indoor**
- dessiné par: **Carlotta de Bevilacqua, Paola di Arianello**

DIMENSIONS

- Longueur : **1180 mm**



ACCESSOIRES



90° joint. To mechanically connect two recessed modules on perpendicular planes. White (trim) M293820



90° joint. To mechanically connect two recessed modules on the same plane - Trim - White (To be ordered with kit cover angle cod. AE44001 / AE44004) M293920



End caps (set of 2) trim white M294020