

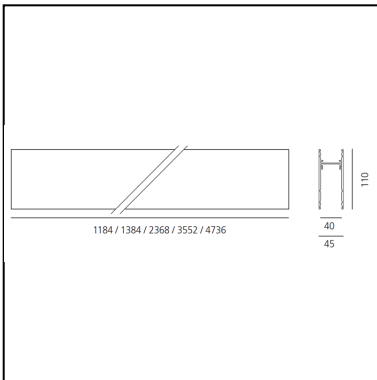
Algoritmo Controlled - Prismoptic Emission - Structural modules suspension, ceiling, wall - 4736mm White

Carlotta de Bevilacqua
Paola di Arianello



DESCRIPTION

A modular system for ceiling or wall-recessed installation, to be installed as a continuous line or with angles, composed of structural modules in extruded aluminium, of pre-wired gear plates with through-wiring and quick-connection system of optics systems and components for connecting, fixing, joining or finishing the system. The prewired LED plates were designed for diffused emission, wall washer light, prismoptic or controlled emission, for projectors integration (PAD or Cube 37), for 3 phase track alimantation. Complies with standard EN60598-1 and any other specific standard.



CARACTÉRISTIQUES

- Code Produit : **M199520**
- Couleur: **Blanc**
- Installation: **AppliqueSuspensionPlafonnier**
- Matériaux: **Aluminium Extrudé**
- Séries: **Architectural Indoor**
- dessiné par: **Carlotta de Bevilacqua, Paola di Arianello**

DIMENSIONS

- Longueur : **4730 mm**
- Poids: **kg 9,2**

ACCESSOIRES



90° angle to mechanically connect of 2 modules on perpendicular planes. Includes through-wire extensions. 0.60 kg. white M196720



Suspension kit with power supply. Includes 1 single steel suspension cable + 1 power supply cable Length 2 meters. MV (5x1,5mm²+2x0,5mm²) To power fluorescent modules, white LED plates and accent modules. M189300



90° joint to mechanically connect two recessed modules on one same plane - 0.30 kg - White (To be ordered with kit cover angle cod. AE44001 / AE44004) M196820



Linear connector M189000



Bracket for fixing to wall/ceiling (1 piece) M199400



Suspension kit with power supply. Includes 1 single steel suspension cable + 1 power supply cable Length 2 meters. LV (3x1,5mm²) For supplying LED modules RGB. M189200



End caps (set of 2) white M188820



Wall bracket To mechanically connect a wall-mounted module. M199300



Steel suspension cable with quick adjustment Length 2 meters M189100