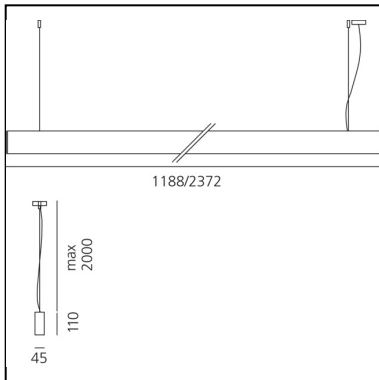


# Algoritmo Stand-Alone - Suspension - LED blanc émission diffuse - Émission directe + indirecte - 122W 4000K DALI - Blanc

Carlotta de Bevilacqua  
Paola di Arianello



IP20  Dimmable: 



## LUMINAIRE

- Watt: **122W**
- Flux Lumineux (lm): **9289lm**
- CCT: **4000K**
- Efficiency: **59%**
- Efficacy: **76.14lm/W**
- CRI: **80**
- Dimmable Typology: **Dali**

## Remarques

Only direct emission is dimmable. Upper screen in PMMA included.

## DESCRIPTION

Series of single units, preconfigured and complete for suspension-mounting, wall-mounting and ceiling-mounting. Body in extruded aluminium, painted white. Two lengths available: 1188 mm and 2372mm. LED version direct emission, diffused: LED monochromatic warm white (3000 K) and neutral white (4000 K). Power supply and light management system included, non dimmable or Dali-SwitchDim. Suspended version direct or double emission. Luminaires come complete with end caps, fixing brackets or suspension cables and optics. Compliant with standard EN60598-1 and other specific standards.

**CODE PRODUIT: M2913N21**

## CARACTÉRISTIQUES

- Code Article : **M2913N21**
- Couleur: **Blanc**
- Installation: **Suspension**
- Matériaux: **Aluminium Extrudé**
- Séries: **Architectural Indoor**
- Environnement: **Indoor**
- Emission: **Directe/indirecte Dark Light**
- dessiné par: **Carlotta de Bevilacqua, Paola di Arianello**

## DIMENSIONS

- Longueur : **cm 237**
- Largeur: **cm 4.5**
- Hauteur: **cm 11**
- Poids: **kg 7.1**
- Test au fil incandescent: **650°**

## SOURCES INCLUES

- Catégorie: **Led**
- Nombre: **1**
- Watt: **122W**
- Température de Couleur (K): **4000K**
- Color Tolerance: **MacAdam 3SDCM**
- Service Life: **L70 (4K) 60500h**