

# Algoritmo System - Diffused Emission - Structural module recessed - Trimless 1184mm

Carlotta de Bevilacqua  
Paola di Arianello



## DESCRIPTION

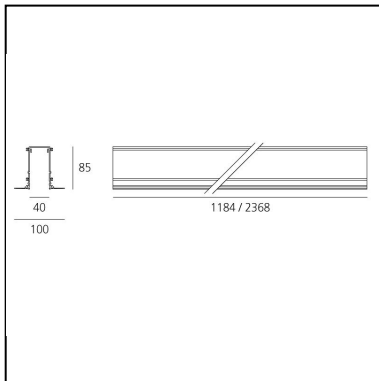
A modular system for ceiling or wall-recessed installation, to be installed as a continuous line or with angles, composed of structural modules in extruded aluminium, of pre-wired gear plates with through-wiring and quick-connection system of optics systems and components for connecting, fixing, joining or finishing the system. The prewired LED plates were designed for diffused emission, wall washer light, prismoptic or controlled emission, for projectors integration (PAD or Cube 37), for 3 phase track alimentation. Complies with standard EN60598-1 and any other specific standard.

## CARACTÉRISTIQUES

- Code Produit : **M204800**
- Couleur: **Anodisé brillant**
- Installation: **Encastré**
- Matériaux: **Aluminium Extrudé**
- Séries: **Architectural Indoor**
- dessiné par: **Carlotta de Bevilacqua, Paola di Arianello**

## DIMENSIONS

- Longueur : **1180 mm**
- Largeur de découpe: **62 mm**
- Profondeur de la découpe: **85 mm**
- Forme de la découpe: **Rectangulaire**
- Poids: **kg 1,8**



**ACCESSOIRES**

90° joint. For the mechanical connection of 2 modules on one same plan - Trimless (To be ordered with kit cover angle cod. AE44001 / AE44004) M196600



End cap (set of 2). M197300