

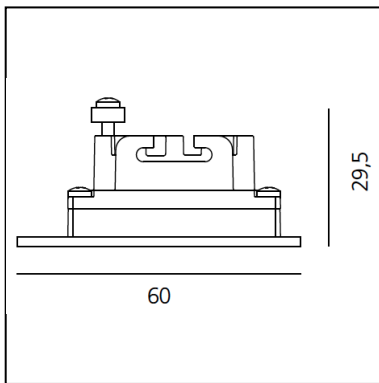
Aria Micro - 2,5W 3000K - IP40 - Silver



DESCRIPTION

Light fixture with high-performance LED light sources. Wall or ceiling installation. Composed by: frame, body, asymmetrical reflector, fixing springs or housing. Body in injection mould of aluminium. Frame in aluminium. Body and frame are painted with outdoor treatment three stages: nanotechnologies, antioxidant primer, polyester paint. Metalized polycarbonate reflector. Silicone gasket. Protection screen in tempered glass, 3mm-thick. Housing in bend metal. Electrical connection to the ballast by means of a cable with appropriate terminal board supplied with the fixture. White monochromatic LEDs available in 2 colour temperatures: Warm = 3000K Neutral = 4000K IP Rating IP65 or IP40. Insulation class III. Technical features of light fixtures in compliance with EN60598-1. Installation must be carried out by specialized personnel. Carefully follow the instructions.

IP40 



PRODUCT CODE: NL31018VTK002

FEATURES

- Article Code: **NL31018VTK002**
- Colour: **Silver**
- Material: **Aluminum, polycarbonate, tempered glass**
- Series: **Architectural Outdoor**
- Environment: **Outdoor**

DIMENSIONS

- Length: **cm 6**
- Height: **cm 6**
- Recessed depth: **cm 3**
- Cutout shape: **Squared**
- Weight: **cm 0.6**

SOURCES INCLUDED

- Category: **Led**
- Number: **1**
- Watt: **2,5W**
- Delivered lumens output: **165lm**
- Color temperature (K): **3000K**
- CRI: **=80(min.)**
- Color Tolerance: **MacAdam 4SDCM)**
- Efficacy: **72lm/W**
- Service Life: **L70(10K)>60500h**

LUMINAIRE

- Watt: **3W**
- Delivered lumens output: **57lm**
- CCT: **3000K**
- Efficiency: **35%**
- Efficacy: **19lm/W**
- CRI: **80**

Accessories

NO
IMAGE
AVAILABLE

Alimentatore 5,6W 350mA IP67 DV3001

NO
IMAGE
AVAILABLE

Driver 14W - 700mA 220-240 - 79x38x25 (LxWxH) -
IP67 - Undimable DV3003

NO
IMAGE
AVAILABLE

Alimentatore 35W 350mA IP67 DV3004

NO
IMAGE
AVAILABLE

Cassaforma Aria Micro NL31020H0