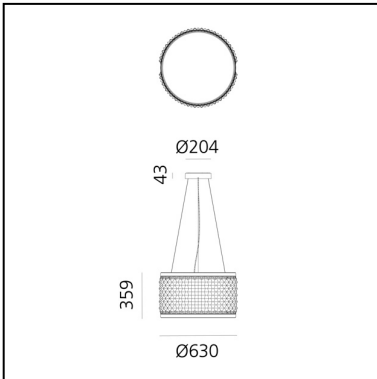


# Eggboard Circle - 63 - Direct + Indirect - 4000K - Blue

Progetto CMR - Giacobone & Roj



IP20   Dimmable: 



## LUMINAIRE

- CCT: **4000K**
- Efficacy: **115lm/W**
- CRI: **90**
- Dimmable Typology: **APP,Dali**

## DESCRIPTION

Eggboard Circle creates a perfect environmental ambience by combining acoustic control and comfortable lighting, with a transversal solution that fits perfectly into living and working spaces.

Its cylindrical body is formed by a panel with a distinctive sinusoidal section, a hallmark of the entire Eggboard family. This construction helps to reduce sound reverberation in the room as well as the cylindrical cavity trapping sound waves. The material is specially chosen for its sound-absorbing characteristics, particularly its optimal effect on speech frequencies.

In Eggboard Circle, the material is double-sided; in the inner part a white felt optimises light reflection. The shape of the cylinder diffuser not only has an interesting effect on sound absorption but also partially screens the direct view of the central emitting surface. This is highly efficient and uniform thanks to an internal mixing chamber and an optical diffuser with high transmittance that generate a diffused and comfortable light UGR<21.

## CARACTÉRISTIQUES

- Code Produit : **EG11181**
- Couleur: **Blue**
- Installation: **Suspension**
- Séries: **Architectural Indoor, Novelties**
- dessiné par: **Progetto CMR - Giacobone & Roj**

## DIMENSIONS

- Hauteur: **360 mm**
- Diamètre: **630 mm**

**ACCESSOIRES**

NO  
IMAGE  
AVAILABLE

APP power L 2100 mm dimmable DALI  
EG90000APP

NO  
IMAGE  
AVAILABLE

Power L 2100 mm dimmable DALI EG90000