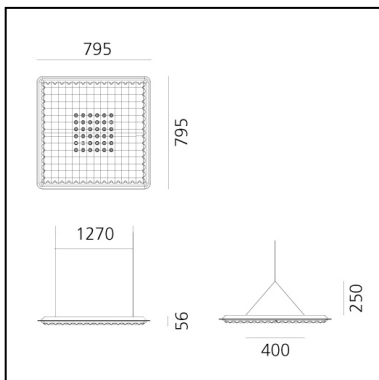


Eggboard Matrix - 800x800 - Direct + Indirect - 4000K - White

Progetto CMR - Giacobone & Roj



IP20   Dimmerable: 



LUMINAIRE

- Watt: **39W**
- Delivered lumens output: **3361lm**
- CCT: **4000K**
- Efficiency: **74%**
- Efficacy: **86.18lm/W**
- CRI: **90**
- Dimmable Typology: **Dali**

Notes

UGR<19

DESCRIPTION

Suspension appliance with sound-absorbing properties ensured by a peculiar sinusoidal cross-section design of the lower surface and the use of a sound-absorbing material. Acoustic efficiency is ensured within a limited space by positioning at approximately one metre above the head of the speaker and listener. Direct emission: a board with a high number of low-voltage LEDs with rotosymmetrical reflectors ensures maximum lighting comfort. Colour temperature 3000K or 4000 K. Complies with the norms on office activities that involve the use of video-terminals (UGR)

PRODUCT CODE: M3103N21

FEATURES

- Article Code: **M3103N21**
- Colour: **White**
- Installation: **Suspension**
- Series: **Architectural Indoor**
- design by: **Progetto CMR - Giacobone & Roj**

DIMENSIONS

- Length: **cm 79.5**
- Width: **cm 79.5**
- Height: **cm 25**
- Weight: **kg 9.7**

SOURCES INCLUDED

- Category: **Led**
- Number: **1**
- Watt: **36W**
- Delivered lumens output: **4470lm**
- Color temperature (K): **4000K**
- CRI: **=80(min.)**
- Color Tolerance: **MacAdam 4SDCM**
- Efficacy: **131lm/W**
- Service Life: **L70(6K)>50000h**