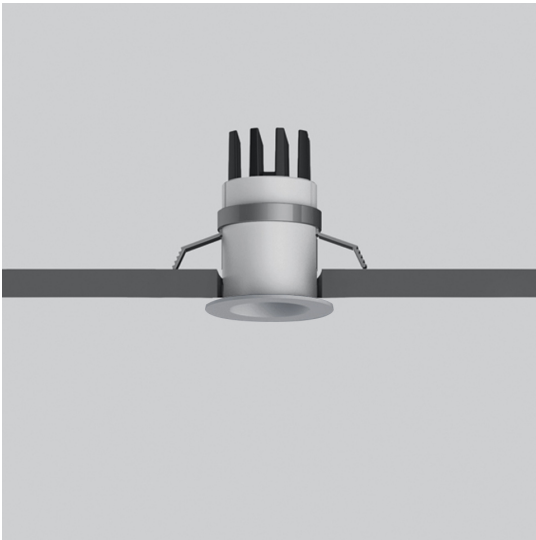
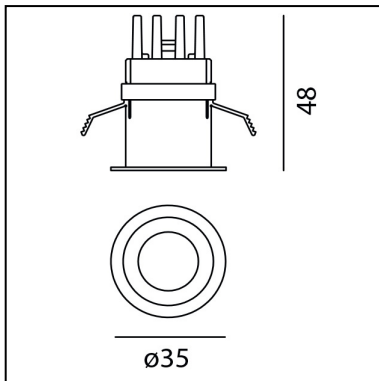


# Everything 35 - Round - 14° 3000K - Silver

Ernesto Gismondi



IP20 



## LUMINAIRE

- Watt: **1,4W**
- Flux Lumineux (lm): **96lm**
- CCT: **3000K**
- Efficiency: **76%**
- Efficacy: **96.00lm/W**
- CRI: **80**

## Remarques

Driver 500mA SELV supplied separately.

## DESCRIPTION

Everything is an innovative range of professional recessed light fittings created to deliver a high lighting performance, with an eye on energy saving and excellent visual comfort. A complete, flexible product range, extremely versatile in its many applications and able to meet challenging lighting performance criteria.

## CARACTÉRISTIQUES

- Code Produit : **NL4203010K002**
- Couleur: **Silver**
- Installation: **Encastré**
- Séries: **Architectural Indoor**
- dessiné par: **Ernesto Gismondi**

## DIMENSIONS

- Diamètre: **35 mm**
- Diamètre d'encastrement: **29 mm**
- Profondeur de la découpe: **48 mm**
- Forme de la découpe: **Rond**
- Poids: **kg 0,1**
- Trou d'encastrement: **Thickness 12,5mm - 25mm**

## SOURCES INCLUES

- Catégorie: **Led**
- Nombre: **1**
- Watt: **1,4W**
- Température de Couleur (K): **3000K**
- Color Tolerance: **3SDCM**
- Service Life: **L80 (13K) 78600h**

**ACCESSOIRES**

NO  
IMAGE  
AVAILABLE

Driver 16/20/23/25/28/32W - 900mA - 220-240  
156x52x26 (LxWxH) Dimmable DALI/PUSH  
M077401

NO  
IMAGE  
AVAILABLE

Driver 8W 500mA - 220-240 Vac - 22x110x19  
(LxWxH) - Undimmable NL19041