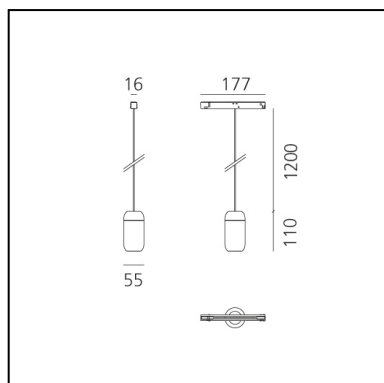


Gople System - Spot Pendant Track - 60 - 2700K - 21° - Dimmable DALI - White

BIG - Bjarke Ingels Group



IP20    Dimmable: 



LUMINAIRE

- Watt: **9W**
- Tension: **48V**
- Flux Lumineux (lm): **556lm**
- CCT: **2700K**
- Efficiency: **69%**
- Efficacy: **61.74lm/W**
- CRI: **90**
- Dimmable Typology: **APP,Dali**

DESCRIPTION

The latest addition to the Gople family is Gople Spot, which offers highly professional performance within the soft geometries of its reduced-scale diffuser.

The spotlight comes in two sizes, corresponding to different power and flux levels, each with multiple beam aperture angles.

A dedicated track allows the use of Gople Spot for the projection of both direct and indirect light. It can also house diffused light modules within it.

Gople Track modules can be combined in line or allow the freedom to define any corner of the space with an electrical connection unconstrained by any mechanical joint. Thanks to Artemide's experience in developing systems that are increasingly unhindered by the limitations of electrical connections, Gople track can extend for long sections with just a single point of electrical connection.

Gople Track combines with the Alphabet of Light system, creating a universal lighting system able to meet the requirements of any space, but above all to define a new approach to lighting projects.

This is an increasingly universal language that diversifies its performance and expands the freedom to illuminate every angle.

CARACTÉRISTIQUES

- Code Produit : **CA20101**
- Couleur: **White**
- Installation: **Projecteur**
- Séries: **Architectural Indoor**
- dessiné par: **BIG - Bjarke Ingels Group**

DIMENSIONS

- Longueur : **177 mm**
- Largeur: **55 mm**
- Hauteur: **110 mm**
- Hauteur max. du plafond: **1200 mm**