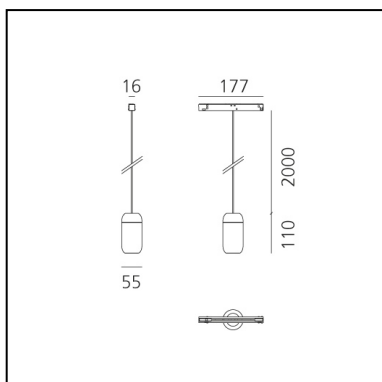


Gople System - Spot Suspension Small - 22° - Black

BIG - Bjarke Ingels Group



⊕ Dimmerable: + 0 -



LUMINAIRE

- Watt: **10W**
- Delivered lumens output: **584lm**

DESCRIPTION

* The product is not yet available.

PRODUCT CODE: NEW

FEATURES

- Article Code: - - -
- Colour: **Black**
- Installation: **Projector**
- Series: **Architectural Indoor, 2020 Artemide Collection**
- design by: **BIG - Bjarke Ingels Group**

DIMENSIONS

- Length: **cm 17.7**
- Width: **cm 5.5**
- Height: **cm 11**