

# Hoy Spot - Recessed - 24° - 3000K

Foster + Partners Industrial  
Design



## CARACTÉRISTIQUES




- Code Produit : **BM03400**
- Installation: **Encastré**
- Séries: **Architectural Indoor**
- Environnement: **Indoor**
- dessiné par: **Foster + Partners Industrial Design**

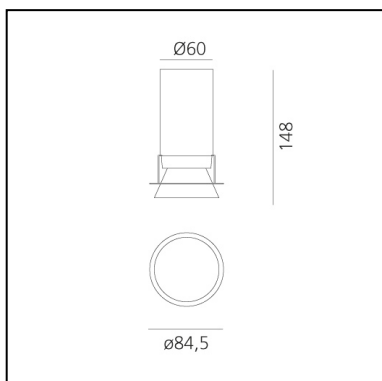
## DIMENSIONS

- Diamètre: **85 mm**
- Diamètre d'encastrement: **95 mm**
- Profondeur de la découpe: **148 mm**
- Forme de la découpe: **Rond**

## SOURCES INCLUES

- Catégorie: **Led**
- Nombre: **1**
- Watt: **19W**
- Color Tolerance: **MacAdam 3SDCM**
- Service Life: **L70 (6K) 50000h**

IP20   



## LUMINAIRE

- Watt: **19W**
- Tension: **220-240V**
- Flux Lumineux (lm): **1896lm**
- CCT: **3000K**
- Efficiency: **78%**
- Efficacy: **99.78lm/W**
- CRI: **90**

## Remarques

Driver supplied separately.  
Fitting to be completed with installation frame.

**ACCESSOIRES**

NO  
IMAGE  
AVAILABLE

Driver cc 32-36W - 700mA - 220-240 Vac -  
103x67x21 (LxWxH) - Dimmable DALI M079200

NO  
IMAGE  
AVAILABLE

DRIVER cc 32-36W - 700mA - 220-240 - 103x67x21  
(LxWxH) - Dimmable PUSH/1-10V M079300



Driver 15-36W 500-700mA - 220-24Vac -  
146,5x43,5x22 mm (LxWxH) - Undimmable  
dv1030

NO  
IMAGE  
AVAILABLE

Driver 23W 550mA - 220-24Vac - 146,5x43,5x22  
mm (LxWxH) - APP Dimmable DV1062APP



Trimless Frame BM05000



Trim Frame - 105mm - White BM05101



Trim Frame - 105mm - Black BM05104