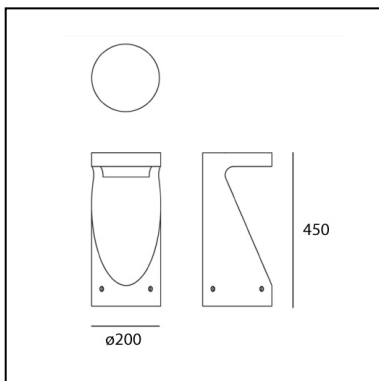


Ippolito 45

Alessandro Pedretti



IP65 



LUMINAIRE

- Watt: **15W**
- Delivered lumens output: **1137lm**
- CCT: **3000K**
- Efficiency: **81%**
- Efficacy: **75.80lm/W**
- CRI: **90**

DESCRIPTION

Light fixture with direct emission, with a unique high-performance monochromatic COB LED. Floor installation. Available in two heights (h 45cm and h 90cm). Composed by support with lamp compartment, lamp and ballast compartment. Cylindrical lamp support in engineering polymer (compact polyurethane), with co-molded galvanized steel reinforcing elements. Painted with polyurethane resistant to atmospheric and chemical agents. Fixture head in die-cast EN-AB 47100 aluminium, painted with 3-stage outdoor treatment: nanotechnologies, antioxidant primer, polyester paint. UV resistant diffuser in transparent shock resistant polycarbonate. Accessory compartment in polymers with closure cover in AISI 316. Hot galvanized steel mounting plate, with holes for ground fixing by means of log bolts or dowels. AISI 316 stainless steel screws and silicone seal gasket. Provided with IP67 cable and connector for the mains connection. Technical features of light fixtures in compliance with EN60598-1. IP Rating IP65. Insulation class II.

PRODUCT CODE: T085100

FEATURES

- Article Code: **T085100**
- Colour: **anthracite grey/light grey**
- Installation: **Floor**
- Material: **Aluminum, polycarbonate, polyurethane**
- Series: **Architectural Outdoor**
- design by: **Alessandro Pedretti**

DIMENSIONS

- Height: **cm 45**
- Diameter: **cm 20**
- Impact Resistance: **IK10**
- Glow Wire Test: **650°**

SOURCES INCLUDED

- Category: **Led**
- Number: **1**
- Watt: **15W**
- Delivered lumens output: **1290lm**
- Color temperature (K): **3000K**
- CRI: **80 typ**
- Color Tolerance: **MacAdam 2SDCM**