

Led Net Line 125 - Suspension - App Compatible

Michele De Lucchi
Alberto Nason



DESCRIPTION

PRODUCT CODE: 1578050APP

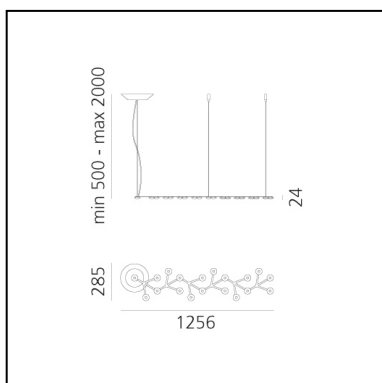
FEATURES

- Article Code: **1578050APP**
- Colour: **Polished white**
- Installation: **Suspension**
- Material: **Aluminium, methacrylate**
- Series: **Design Collection**
- Environment: **Indoor**
- Area contract: **Hospitality, null**
- Emission: **Direct**
- design by: **Michele De Lucchi, Alberto Nason**

DIMENSIONS

- Length: **cm 125**
- Width: **cm 28.5**
- Height: **cm 2.4**
- Max Height from ceiling: **cm 200**
- Glow Wire Test: **650°**

SOURCES INCLUDED



LUMINAIRE

- Watt: **45W**
- Voltage: **220-240V**
- Delivered lumens output: **2530lm**
- CCT: **3000K**
- Efficiency: **78%**
- Efficacy: **56.22lm/W**
- CRI: **80**

Notes

It's a sectional unit that enables elements to be added (supplied as special project).

- Category: **Led**
- Number: **18**
- Watt: **2.17W**
- Delivered lumens output: **153lm**
- Color temperature (K): **3000K**
- CRI: **80**
- Color Tolerance: **MacAdam 3SDCM**
- Efficacy: **71lm/W**
- Service Life: **50000-L70**