
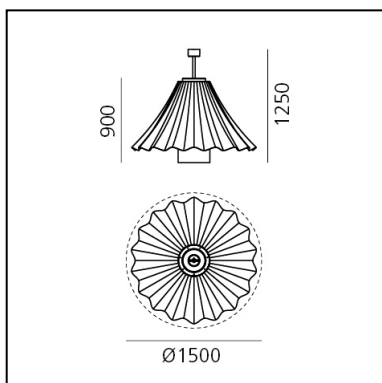


# Les Danseuses - Violet/purple

Atelier Oï



IP20 



## LUMINAIRE

- Watt: **16W**
- Delivered lumens output: **1481lm**
- CCT: **3000K**
- Efficiency: **70%**
- Efficacy: **92.58lm/W**
- CRI: **80**

## Notes

3 speed step + light (controlled separately). Alternative management with remote control (available separately).

## DESCRIPTION

Les Danseuses is a suspension lamp that draws inspiration from dancing, from the harmonious movement of the fabric that gently moves against air resistance. Combines light and air in a hybrid product for better environmental quality. An engine is, in fact, mounted on the suspension shaft to move and raise the fabric, alongside an optical unit producing diffused light. This rotates to move air and changes the light emission, thus animating the environment with gentle dynamic light projections, with a positive influence on its perception. Thus very low power consumption results into improved environmental quality. Studies on the physics of centripetal and centrifugal forces, starting from a suggestion, lead to materialize and stabilize the shape during rotation with precise cuts into the fabric. A non-aesthetic, but rather physical intelligence principle defines 3 different laser cutting programmes for the textile disks. A precise balance between speed, i.e. the energy used for rotation, number, size, position, and shape of the cuts ensures variable stability of the moving fabric, defines shapes and their movements. The fabric was selected for its light diffusing properties and has two colours with a lighter inside, which is therefore more suited to reflect light. The cuts have a purpose related to light; they screen and filter it, yet let it through even when the fabric is not moving. By changing their rotation speed, the discs change from the vertical to the horizontal position, open up and illuminate the whole environment. Les Danseuse is therefore a project that involves air and light, emotion and surprise, energy and environmental quality with a poetic approach.

## PRODUCT CODE: SCENARIOS

## FEATURES

- Article Code: **DOI4300A13**
- Colour: **Violet/purple**
- Installation: **Suspension**
- Material: **fabric, aluminium**
- Series: **Scenarios**
- Environment: **Indoor**
- design by: **Atelier Oï**

## DIMENSIONS

- Height: **cm 80**
- Diameter: **cm 150**
- Base Diameter: **cm 14**
- Max Extension Height: **cm 142**

## SOURCES INCLUDED

- Category: **Led**
- Number: **1**
- Watt: **17W**
- Color temperature (K): **3000K**
- CRI: **80**