
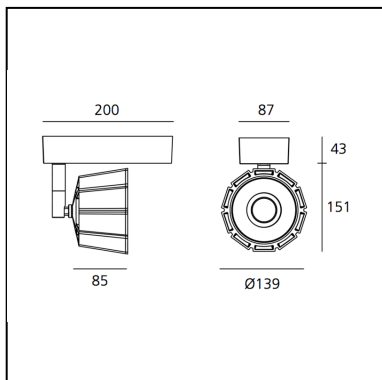


# M141011 - Airlite binario stable white Noir 3000K 17°- Dimmerable Dali

Carlotta de Bevilacqua  
Paola di Arianello



IP20   Dimmable: + -



## LUMINAIRE

- Watt: **35W**
- Tension: **220-240 V**
- Flux Lumineux (lm): **3248lm**
- CCT: **3000K**
- Efficiency: **76%**
- Efficacy: **92.8lm/W**
- CRI: **90**

## DESCRIPTION

Boasting elevated luminous flux, excellent colour rendering, energy efficiency, and a light compact design, Airlite is an innovative range of LED spotlights with exceptional photometric performance and flexibility. Thanks to an innovative heat dissipation system, air is filtered through open gaps in the die-cast aluminium body ensuring the efficiency and long life of our LED module. The hybrid optical system provides defined narrow beams, while keeping the light fixture dimensions compact.

## CODE PRODUIT: SCENARIOS

### CARACTÉRISTIQUES

- Code Article : **M141011**
- Couleur: **Noir**
- Installation: **RailProjecteur**
- Matériaux: **Aluminium**
- Séries: **Scenarios**
- Type de projet: **Commerces**
- dessiné par: **Carlotta de Bevilacqua, Paola di Arianello**

### DIMENSIONS

- Diamètre: **cm 13.9**
- Largeur de la base: **cm 20**
- Base Width: **cm 8.7**
- Diamètre d'encastrement: **cm 9.9**
- Poids: **kg 1.6**

### SOURCES INCLUES

- Catégorie: **Led**
- Nombre: **1**
- Watt: **30W**
- Flux Lumineux (lm): **3353lm**
- Température de Couleur (K): **3000K**
- CRI: **=80 (min.)**
- Color Tolerance: **MacAdam 3SDCM**
- Efficacy: **112lm/W**
- Service Life: **>50000h**

**ACCESSOIRES**



Portaccessori M077810



Lente per emissione ellittica M078700



Filtro soft M078800



Griglia frangiluce M078400



Paraluce asimmetrico M078500



Alette orientabili M078600



Filtro cromatico M078900



Filtro cromatico M079000



Filtro cromatico M079100