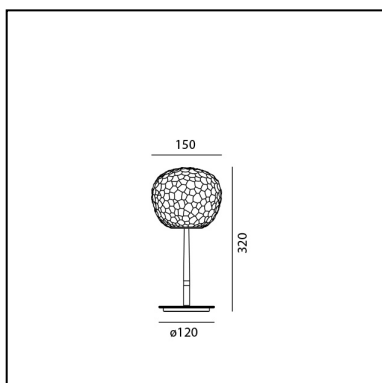


Meteorite 15 Table Stem (E14)

Pio & Tito Toso



IP20   



LUMINAIRE

- Watt: **4W**
- Voltage: **220V - 240V**
- Delivered lumens output: **134lm**
- CCT: **2700K**
- Efficiency: **54%**
- Efficacy: **33.49lm/W**
- CRI: **80**

DESCRIPTION

A family of lamps available in five different versions: table, table with stem, floor, wall/ceiling and suspension. Materials: blown glass diffuser; lamp body in technopolymer. Meteorite Stem Table 15 and 35 feature respectively a chromed aluminium and a steel stem. Specification: the diffuser is made of a double layer of artistic glass, obtained through a 'stampo a fermo' mould-blowing technique and then grinding.

PRODUCT CODE: 1709110A

FEATURES

- Article Code: **1709110A**
- Colour: **white**
- Installation: **Table**
- Material: **blown glass, technopolymer, aluminum, steel**
- Series: **Design Collection**
- design by: **Pio & Tito Toso**

DIMENSIONS

- Height: **cm 32**
- Diameter: **cm 15**
- Base Diameter: **cm 12**
- Glow Wire Test: **N/D°**

SOURCES NOT INCLUDED

- Category: **LED RETROFIT**
- Number: **1**
- Watt: **4W**
- Socket: **E14**