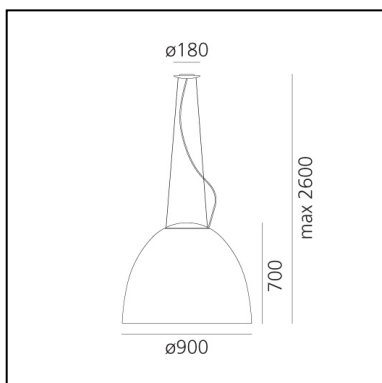


Nur 1618 - Anodized Aluminium

Ernesto Gismondi



IP20    Dimmerable: 



LUMINAIRE

- Watt: **800W**
- Voltage: **220V-240V**
- Delivered lumens output: **10326lm**
- CCT: **2900K**
- Efficiency: **56%**
- Efficacy: **12.91lm/W**
- CRI: **100**

DESCRIPTION

PRODUCT CODE: A242910

FEATURES

- Article Code: **A242910**
- Colour: **Anodized aluminium**
- Installation: **Suspension**
- Material: **Aluminium, methacrylate, glass**
- Series: **Design Collection, Metamorfosi**
- Environment: **Indoor**
- Area contract: **Hospitality, null, Residential**
- Emission: **Direct/indirect Diffused**
- design by: **Ernesto Gismondi**

DIMENSIONS

- Height: **cm 70**
- Diameter: **cm 90**
- Base Diameter: **cm 18**
- Max Height from ceiling: **cm 260**
- Glow Wire Test: **650°C**

NOT INCLUDED SOURCES

- Category: **HALO**
- Number: **2**
- Lbs: **Qt-de12**
- Watt: **400W**
- Socket: **R7s**
- Color Rendering: **1a**
- Color temperature (K): **2950K**

ALTERNATIVE SOURCES

- Category: **LED RETROFIT**
- Number: **2**
- Watt: **11w**
- Delivered lumens output: **1110lm**
- Socket: **R7s**