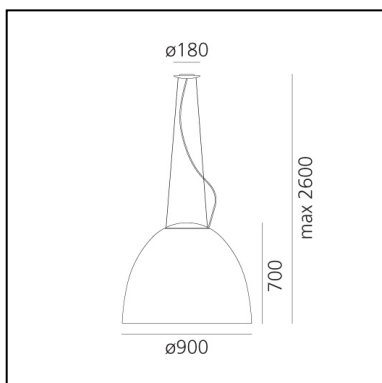


Nur 1618 Led Anodized aluminium

Ernesto Gismondi



IP20     Dimmerable: 



LUMINAIRE

- Watt: **80W**
- Voltage: **220V-240V**
- Delivered lumens output: **4308lm**
- CCT: **3000K**
- Efficiency: **48%**
- Efficacy: **53.85lm/W**
- CRI: **90**
- Dimmable Typology: **Push**

DESCRIPTION

PRODUCT CODE: A243210

FEATURES

- Article Code: **A243210**
- Colour: **Anodized aluminium**
- Installation: **Suspension**
- Material: **Aluminium, methacrylate, glass**
- Series: **Design Collection, Metamorfosi**
- Environment: **Indoor**
- Area contract: **Hospitality, null, Residential**
- Emission: **Direct/indirect Diffused**
- design by: **Ernesto Gismondi**

DIMENSIONS

- Height: **cm 70**
- Diameter: **cm 90**
- Base Diameter: **cm 18**
- Max Height from ceiling: **cm 260**
- Glow Wire Test: **650°C**

SOURCES INCLUDED

- Category: **Led**
- Number: **1**
- Watt: **75W**
- Delivered lumens output: **9112**
- Color temperature (K): **3000K**
- CRI: **90**
- Color Tolerance: **MacAdam 2SDCM**
- Efficacy: **122lm/W**
- Service Life: **50000-L70**