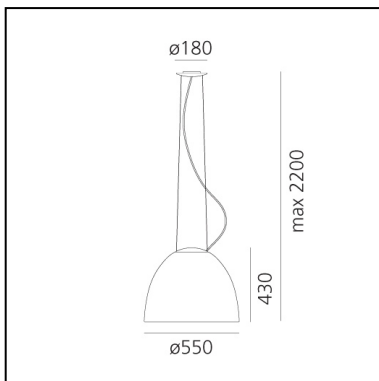


Nur Gloss LED - Suspension - Black - App Compatible

Ernesto Gismondi



IP20      Dimmable: +  -



LUMINAIRE

- Watt: **45W**
- Tension: **220V-240V**
- Flux Lumineux (lm): **2006lm**
- CCT: **2700K**
- Efficiency: **56%**
- Efficacy: **44.58lm/W**
- CRI: **90**
- Dimmable Typology: **Push & APP**

DESCRIPTION

An extreme geometric synthesis of optics par excellence, Nur manifests its presence through a monolithic and mono-material body. The essential and geometrically calibrated lines of a perfect parabola conceal an optical heart that perfectly controls the emission, without offending direct vision. It ensures general ambient lighting thanks also to indirect emission. Artemide App Compatible.

CARACTÉRISTIQUES

- Code Produit : **A243410APP**
- Couleur: **Noir**
- Installation: **Suspension**
- Matériaux: **Aluminum, methacrylate, glass**
- Séries: **Design Collection**
- Environnement: **Indoor**
- Type de projet: **Hospitalité, Bureaux, Résidentiels**
- Emission: **Directe/indirecte**
- dessiné par: **Ernesto Gismondi**

DIMENSIONS

- Hauteur: **430 mm**
- Diamètre: **550 mm**
- Hauteur max. du plafond: **2200 mm**
- Test au fil incandescent: **650°C**

SOURCES INCLUES

- Catégorie: **Led**
- Nombre: **1**
- Watt: **37W**
- Flux Lumineux (lm): **3747lm**
- Température de Couleur (K): **2700K**
- CRI: **90**
- Color Tolerance: **MacAdam 2SDCM**
- Efficacy: **103lm/W**
- Service Life: **50000-L70**

ACCESSOIRES

Device for switching and controlling Artemide App products. Max N.3 inputs for external push buttons. Max 1m distance. Mains power supply required. To be installed inside flush mounting boxes or junction boxes. DV1080APP