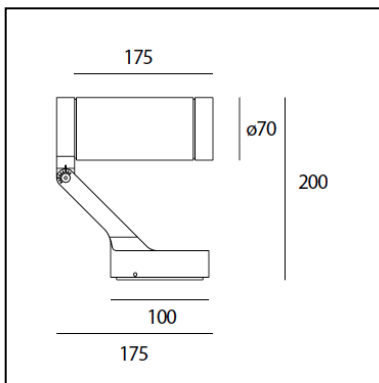


# Obice - 34° 3000K - Black

Alessandro Pedretti



IP65 



## LUMINAIRE

- Power Supply: **Eelectronic included**
- Watt: **13W**
- Voltage: **220/240Vac**
- Delivered lumens output: **605lm**
- CCT: **3000K**
- Efficiency: **75%**
- Efficacy: **46.54lm/W**
- CRI: **0**

## DESCRIPTION

Lights fixture with high-performance LED light sources. Wall installation. Composed by: body, adjustable joint, terminal board and protective screen. Body in injection mould of aluminium. Terminal base and adjustable joint in injection mould of aluminium. Flange, protection screen in tempered glass, 4mm-thick, with black opal serigraphy. 24Vdc remote driver. White monochromatic LEDs available in 2 colour temperatures: Warm = 3000K Neutral = 4000K Tilting angle +35°/-125° Rotation on horizontal axis: 359°. Wiring to be carried out by means of a plug located in the terminal base. IP Rating IP65. Insulation class I (Obice), insulation class III (Obice mini). Technical features of light fixtures in compliance with EN60598-1. Installation must be carried out by specialized personnel. Carefully follow the instructions.

**PRODUCT CODE: T430534W10**

## FEATURES

- Article Code: **T430534W10**
- Colour: **Black**
- Installation: **WallCeiling**
- Material: **Steel, silk screened glass**
- Series: **Architectural Outdoor**
- design by: **Alessandro Pedretti**

## DIMENSIONS

- Length: **cm 17.5**
- Height: **cm 20**
- Diameter: **cm 7**
- Weight: **cm 1.2**

## SOURCES INCLUDED

- Category: **Led**
- Number: **1**
- Watt: **10W**
- Delivered lumens output: **378lm**
- Color temperature (K): **3000K**
- Efficacy: **17lm/W**

**Accessories**



Filter holder white T430600020



Lens for elliptical emission T430700000



Filter holder black T430600010