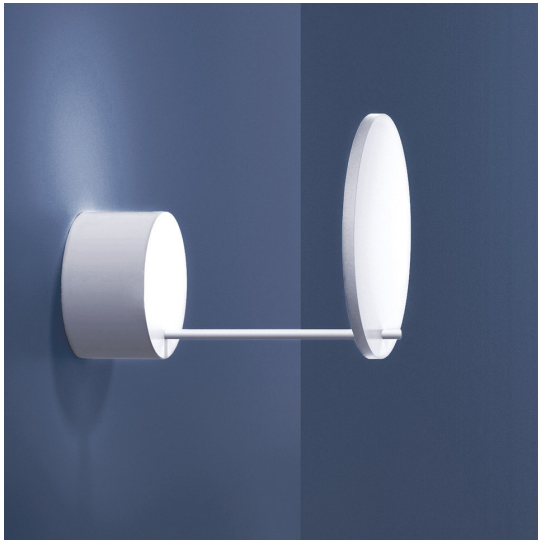
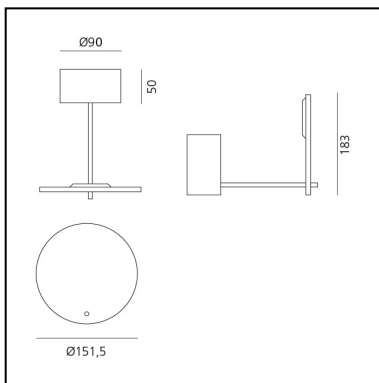


Orbiter Wall

Neil Poulton



IP20   Dimmerable: 



LUMINAIRE

- Watt: **20W**
- Voltage: **220-240V**
- Delivered lumens output: **1586lm**
- CCT: **3000K**
- Efficiency: **86%**
- Efficacy: **79.28lm/W**
- CRI: **92**
- Dimmable Typology: **Push**

DESCRIPTION

Orbiter is a wall or ceiling lamp producing indirect light. The LED source is located on a disk mounted off the wall to ensure optimal indirect emission, obtained through reflection on the wall. The LED, located on the disk at the opposite end of the shaft, projects a sheer geometric contrast of shades on the area, intercepting the cylinder-shaped base. The disk turns around the supporting stem, thus allowing to adjust light emission and defining ever-changing light-and shade patterns.

PRODUCT CODE: 1612010A

FEATURES

- Article Code: **1612010A**
- Colour: **White**
- Installation: **Wall**
- Material: **Aluminium, ABS, steel**
- Series: **Design Collection**
- design by: **Neil Poulton**

DIMENSIONS

- Height: **cm 19**
- Diameter: **cm 15**
- Base Diameter: **cm 9**
- Glow Wire Test: **750°**

SOURCES INCLUDED

- Category: **Led**
- Number: **1**
- Watt: **17.75W**
- Delivered lumens output: **1844lm**
- Color temperature (K): **3000K**
- CRI: **90**
- Color Tolerance: **MacAdam 2SDCM**
- Efficacy: **104lm/W**
- Service Life: **50000-L70**