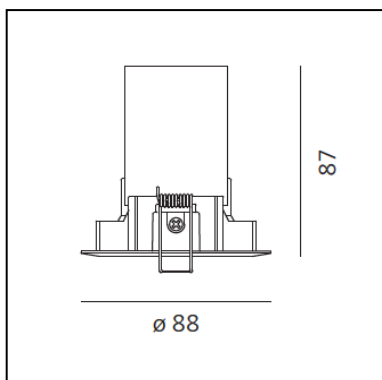


# Parabola 80 - Round - Adjustable - 64° - 3000K - Black

Studio Artemide



IP40 



## LUMINAIRE

- Power Supply: **Driver 350 mA SELV supplied separately.**
- Watt: **12W**
- Flux Lumineux (lm): **969lm**
- CCT: **3000K**
- Efficiency: **64%**
- Efficacy: **80.77lm/W**
- CRI: **90**

## DESCRIPTION

Light fixture with high-performance LED light sources, consists of: frame, body, lens, fixing springs. Frame in injection mould of aluminium. Heat sink body in extruded aluminium. Lens in polycarbonate with 3 different versions of beam. Fixing springs in harmonic steel. Electrical connection to the driver by means of a FEP-FEP cable and a terminal board. Technical features of light fixtures in compliance with EN60598-1.

## CARACTÉRISTIQUES

- Code Produit : **NL1906460K004**
- Couleur: **Noir**
- Matériaux: **Aluminium**
- Séries: **Architectural Indoor**
- Environnement: **Indoor**
- Type de projet: **Hospitalité, null, Commerces, Bureaux, Culture, Résidentiels**
- dessiné par: **Studio Artemide**

## DIMENSIONS

- Diamètre: **88 mm**
- Diamètre d'encastrement: **78 mm**
- Profondeur de la découpe: **87 mm**
- Inclinaison: **-20+20**
- Forme de la découpe: **Rond**
- Poids: **kg 0,28**

## SOURCES INCLUES

- Catégorie: **Led**
- Nombre: **1**
- Watt: **12W**
- Flux Lumineux (lm): **1512lm**
- Température de Couleur (K): **3000K**
- CRI: **90**
- Color Tolerance: **3SDCM**
- Efficacy: **126lm/W**
- Service Life: **L70(6K)>60000h**

**ACCESSOIRES**

NO  
IMAGE  
AVAILABLE

ALIMENTATORE 16.8W 350/500/700MA DALI  
NL104210

NO  
IMAGE  
AVAILABLE

DRIVER cc 15W 350mA 220-240 125 38 23 1max  
Non dimmable M077500