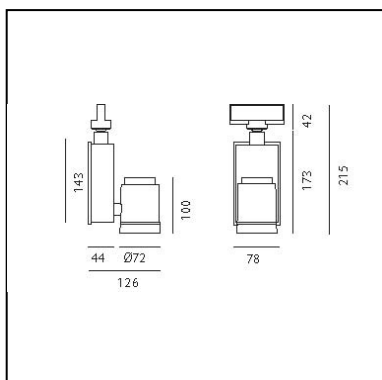


Picto 70 LED track vertical - white 35° 4000K - Dali

Studio Artemide



IP20    Regulable: 



LUMINARIA

- Power Supply: **Power supply 220/240Vac 50/60Hz included**
- Potencia (W): **20W**
- Flujo Luminoso (lm): **1806lm**
- CCT: **4000K**
- Efficiency: **86%**
- Efficacy: **90.29lm/W**
- CRI: **90**
- Dimmable Typology: **Dali**

ESPECIFICACIONES

This range of professional projectors is distinguished by design, excellent performance and flexibility. Picto is a complete and versatile range, suitable for use in retail spaces, showrooms, museums or art galleries. Available in 3 sizes, installation options, designs, colours, optics and a wide range of accessories.

CÓDIGO PRODUCTO: AD03401

CARACTERÍSTICAS

- Código del artículo: **AD03401**
- Color: **White**
- Instalación: **Proyector**
- Material: **aluminum**
- Serie: **Architectural Indoor**
- Entorno de uso: **Interior**
- Área de uso: **Hospitality, Retail, Culture**
- diseño: **Studio Artemide**

DIMENSIONES

- Longitud: **cm 7.8**
- Altura: **cm 21.5**
- Diámetro: **cm 7.2**
- Inclinación: **-90+90**
- Rotación: **355°**
- Peso: **kg 1.2**
- Prueba calorífica: **850°**

FUENTES DE LUZ INCLUIDAS

- Categoría: **Led**
- Numero: **1**
- Potencia (W): **20W**
- Temperatura de Color (K): **4000K**
- Color Tolerance: **MacAdam 2SDCM**
- Service Life: **Life L70 (6K) 50000h**

ACCESORIOS



Accessory-holder (nero) + projection lens and framing device M083937



Accessory-holder (black) + Adjustable dowser (black) M082837



Accessory-holder (black) + Projection lens for gobo. Customized gobo to be ordered separately M083837



Accessory-holder (black) + wall washer screen (black) M083037



Accessory for ceiling installation - Stucchi version - White TK20901