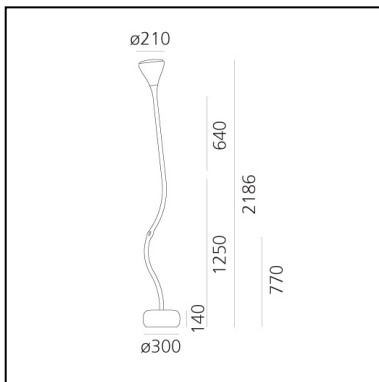


Pipe Floor LED 2700K

Herzog & de Meuron



IP20    



LUMINAIRE

- Watt: **27W**
- Voltage: **220-240V**
- Delivered lumen output: **1763lm**
- CCT: **2700K**
- Efficiency: **67%**
- Efficacy: **65.30lm/W**
- CRI: **90**
- Dimmer Typology: **Touch Dimmer**

Notes

The body lamp is a single tubular steel structure, composed of a rigid lower part and an adjustable higher part. Touch dimmer placed on the steel.

DESCRIPTION

Steel base "soft touch" effect painted; stem covered by a natural platinum silicone sheath (antiyellowing); diffuser in transparent polycarbonate with rubber-effect coat; transparent lens; internal reflector made of specular aluminium with random perforations. The new internal diffuser is reinterpreting the old fluorescent lamp using a modern LED source, this guarantees the same optical performance with less power consumption and a better quality of light.

FEATURES

- Product Code: **0670W10A**
- Colour: **Trasparent**
- Installation: **Floor**
- Material: **Polycarbonate, steel, silicon**
- Series: **Design Collection**
- Environment: **Indoor**
- Area contract: **Hospitality, Office, Residential**
- Emission: **Adjustable Direct And Diffused**
- design by: **Herzog & de Meuron**

DIMENSIONS

- Height: **2200 mm**
- Diameter: **210 mm**
- Base Diameter: **300 mm**
- Glow Wire Test: **960°**

SOURCES INCLUDED

- Category: **Led**
- Number: **1**
- Watt: **24.2W**
- Delivered lumen output: **2607lm**
- Color temperature (K): **2700K**
- CRI: **90**
- Color Tolerance: **MacAdam 2SDCM**
- Efficacy: **108lm/W**
- Service Life: **50000-L70**