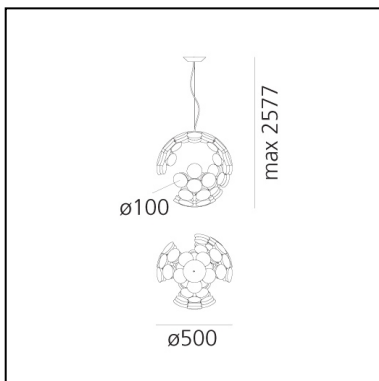


# Scopas - App Compatible

Neil Poulton



IP20   Dimmerable: 



## LUMINAIRE

- Watt: **80W**
- Delivered lumens output: **3440lm**
- CCT: **3000K**
- Efficiency: **60%**
- Efficacy: **43lm/W**
- CRI: **80**
- Dimmable Typology: **Push**

## DESCRIPTION

Created through the repetition of an elementary module, this suspension lamp consists of a sphere with an incomplete structure. Ever changing in its appearance, depending on the point it is viewed from, it radically breaks the mould of the pure and sometimes monotonous forms that normally characterise this kind of lamp. Like the Death Star of the Empire in Star Wars, immobile in space, its apparent incompleteness is contrasted with its technical efficiency.

**PRODUCT CODE: 1529010APP**

## FEATURES

- Article Code: **1529010APP**
- Colour: **Black and white**
- Installation: **Suspension**
- Material: **Aluminium, methacrylate, ABS**
- Series: **Design Collection**
- Environment: **Indoor**
- Area contract: **Retail**
- Emission: **Diffused**
- design by: **Neil Poulton**

## DIMENSIONS

- Diameter: **cm 50**
- Glow Wire Test: **650°C**

## SOURCES INCLUDED

- Category: **Led**
- Number: **1**
- Watt: **63W**
- Color temperature (K): **3000K**