
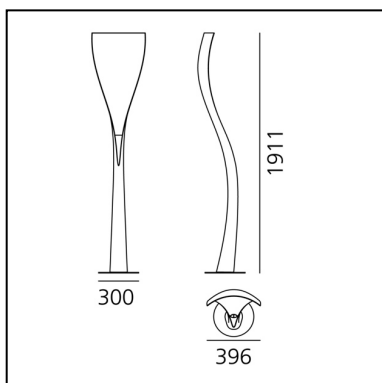


Solium

Karim Rashid



IP20 



LUMINAIRE

- Watt: **37W**
- Delivered lumens output: **945lm**
- CCT: **3000K**
- Efficiency: **28%**
- Efficacy: **25.54lm/W**
- CRI: **90**

DESCRIPTION

"I envisioned Solium to be the negative of light. It stands boldly and sensually, as sultry as Sophia Loren. The shade flays out from an undulating base. The concave surface casts a glow of light which bounces off the lamp and projects on to the wall. The elegant thin shell is constructed out of fiberglass to create an extremely lightweight, and long lasting sculptural object". Karim Rashid 2013 A single material and a single manufacturing process produce a synthesis between the frame and the optical unit. Fiberglass – a sustainable, ultralight, strong, and long-lasting material – optimizes both the luminous performance and the shape. The appliance body itself works as a reflector that, coupled with a dedicated optical unit, results into high light-diffusing efficiency.

PRODUCT CODE: SCENARIOS

FEATURES

- Article Code: **1639010A**
- Colour: **White**
- Installation: **Floor**
- Material: **Technopolymer, steel**
- Series: **Scenarios**
- design by: **Karim Rashid**

DIMENSIONS

- Height: **cm 191**
- Base Diameter: **cm 30**
- Glow Wire Test: **650°C**

SOURCES INCLUDED

- Category: **Led**
- Number: **1**
- Watt: **37W**
- Delivered lumens output: **3899lm**
- Color temperature (K): **3000K**
- CRI: **90**
- Color Tolerance: **MacAdam 2SDCM**
- Efficacy: **107lm/W**
- Service Life: **50000-L70**