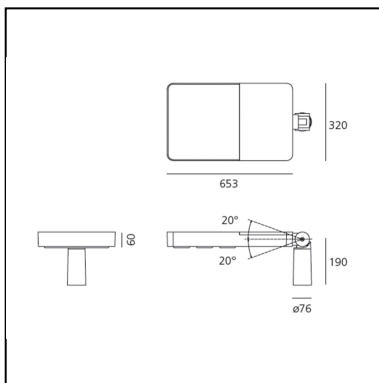


Sostituto Pole High Flux

Ernesto Gismondi



IP65 



LUMINAIRE

- Watt: **106W**
- Voltage: **220V-240V**
- Delivered lumens output: **11261lm**
- CCT: **4000K**
- Efficiency: **77%**
- Efficacy: **106.24lm/W**
- CRI: **70**

DESCRIPTION

Light fixture with direct emission, with monochromatic LED light sources. Pole installation (pole not supplied). Consists of lighting unit and 90° adjustable pole joint. Die-cast EN-AB 47100 aluminium lighting unit with 3-stage outdoor treatment: nanotechnologies, antioxidant primer, polyester paint. Asymmetrical high-efficiency PMMA optical units. High-transparency shock-resistant polycarbonate screens. Composed by 3 interchangeable optical units. AISI 316 fixing screws and silicone gaskets. Suitable for ME3a and ME4a road lighting. Technical features in compliance with EN60598-1-2-3. Protection level from 4kV impulse overvoltage. IP Rating IP66. ENEC approved. Insulation class II.

PRODUCT CODE: T4183ELH00

FEATURES

- Article Code: **T4183ELH00**
- Colour: **Grey antracite**
- Installation: **Pole**
- Material: **Aluminum, polycarbonate, methacrilate**
- Series: **Architectural Outdoor**
- design by: **Ernesto Gismondi**

DIMENSIONS

- Length: **cm 60.8**
- Width: **cm 32**
- Height: **cm 600**
- Impact Resistance: **IK10**
- Glow Wire Test: **750°**

SOURCES INCLUDED

- Category: **Led**
- Number: **1**
- Watt: **106W**
- Color temperature (K): **4000K**