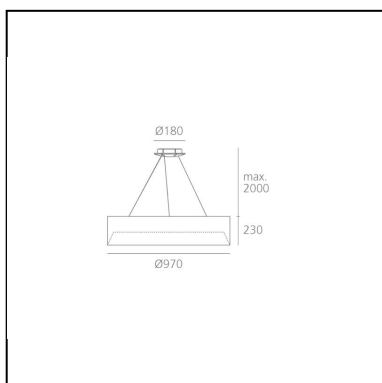


Tagora Suspension 970 - Direct + Indirect Emission - dimmable - Beige/White

S./R. Cornelissen



IP20  Regulable: 



LUMINARIA

- Power Supply: **220/240Vac 50/60Hz electronic ballast included**
- Potencia (W): **95W**
- Tensión de alimentación: **220V-240V**
- Flujo Luminoso (lm): **8483lm**
- CCT: **4000K**
- Efficiency: **54%**
- Efficacy: **89.30lm/W**
- CRI: **80**
- Dimmable Typology: **Dali**

ESPECIFICACIONES

Series of suspended luminaires available in 4 diameters (80 mm, 270 mm, 570 mm, 970 mm), using high-output LEDs, Retrofit LEDs. Aluminium body available in different two-coloured versions: beige/white, grey/white, black/orange, black/green and black/blue. Steel suspension cables allowing quick adjustment, 2 metre length. Tagora 80 and 270 offer a high-output spot light with aluminium optics. Tagora 270 uses a proprietary system based on a hybrid combined lens and reflector optic. This system helps to create defined narrow beams using high-powered LED modules of large dimensions. Tagora 570 and 970 come with a PMMA diffuser, offering a comfortable diffused light. LED versions use high-output sources. Integrated electronic power supply, dimmable or non-dimmable options, depending on the version. Compliant with standard EN60598-1 and other specific standards.

CÓDIGO PRODUCTO: M250921

CARACTERÍSTICAS

- Código del artículo: **M250921**
- Color: **Beige/Blanco**
- Material: **Aluminio**
- Serie: **Architectural Indoor**
- diseño: **S./R. Cornelissen**

DIMENSIONES

- Altura: **cm 23**
- Diámetro: **cm 97**
- Peso: **kg 21**
- Prueba calorífica: **960°**

FUENTES DE LUZ INCLUIDAS

- Categoría: **Led Retrofit**
- Numero: **1**
- Potencia (W): **11W**
- Temperatura de Color (K): **4000K**
- CRI: **80**
- Color Tolerance: **MacAdam 3SDCM**
- Service Life: **L70 (6K) 50000h**

- Categoría: **Led**
- Numero: **1**
- Potencia (W): **84W**
- Temperatura de Color (K): **4000K**
- CRI: **80**
- Color Tolerance: **MacAdam 3SDCM**
- Service Life: **L70 (6K) 50000h**