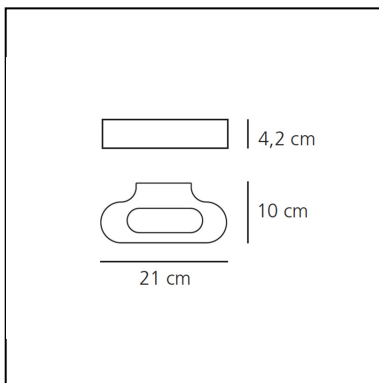


# Talo Wall - 3000K - White

Neil Poulton



IP20       Dimmerable: 



## LUMINAIRE

- Watt: **20W**
- Voltage: **220-240V**
- Delivered lumens output: **1787lm**
- CCT: **3000K**
- Efficiency: **79%**
- Efficacy: **89.35lm/W**
- CRI: **90**
- Dimmable Typology: **Push**

## DESCRIPTION

**PRODUCT CODE: 0615010A**

## FEATURES

- Article Code: **0615010A**
- Colour: **White**
- Installation: **Wall**
- Material: **Aluminium, methacrylate, polycarbonate**
- Series: **Design Collection**
- Environment: **Indoor**
- Area contract: **Hospitality, null**
- Emission: **Direct/indirect**
- design by: **Neil Poulton**

## DIMENSIONS

- Length: **cm 21**
- Width: **cm 10**
- Height: **cm 4.2**
- Glow Wire Test: **750°C**

## SOURCES INCLUDED

- Category: **Led**
- Number: **1**
- Watt: **20W**
- Delivered lumens output: **1500lm**
- Color temperature (K): **3000K**