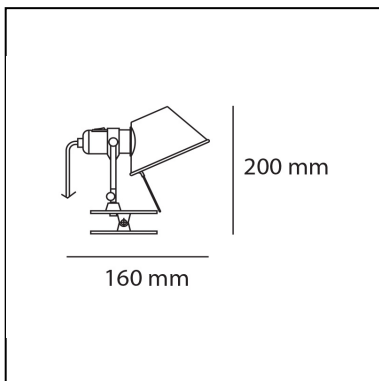


# Tolomeo Micro Pinza - Blue

Michele De Lucchi  
Giancarlo Fassina



## LUMINAIRE

- Watt: **40W**
- Voltage: **220V-240V**
- Delivered lumens output: **244lm**
- Efficiency: **57%**
- Efficacy: **6.1lm/W**
- CRI: **100**

## Notes

Possibility to mount LED source on E14 Socket

## DESCRIPTION

Support in polished aluminium, diffuser in blue matt anodised aluminium; steel pincer grip.

## PRODUCT CODE: A010850

## FEATURES

- Article Code: **A010850**
- Colour: **Blue**
- Installation: **Wall**
- Material: **Aluminium, steel**
- Series: **Design Collection**
- design by: **Michele De Lucchi, Giancarlo Fassina**

## DIMENSIONS

- Height: **cm 20**
- Depth: **cm 16**

## NOT INCLUDED SOURCES

- Category: **HALO**
- Number: **1**
- Lbs: **Qt26**
- Watt: **46W**
- Socket: **E14**
- Color Rendering: **1a**
- Color temperature (K): **3000K**

## ALTERNATIVE SOURCES

- Category: **LED RETROFIT**
- Number: **1**
- Watt: **6W**
- Delivered lumens output: **470lm**
- Socket: **E14**